

b

B2000 PARTS BOOK

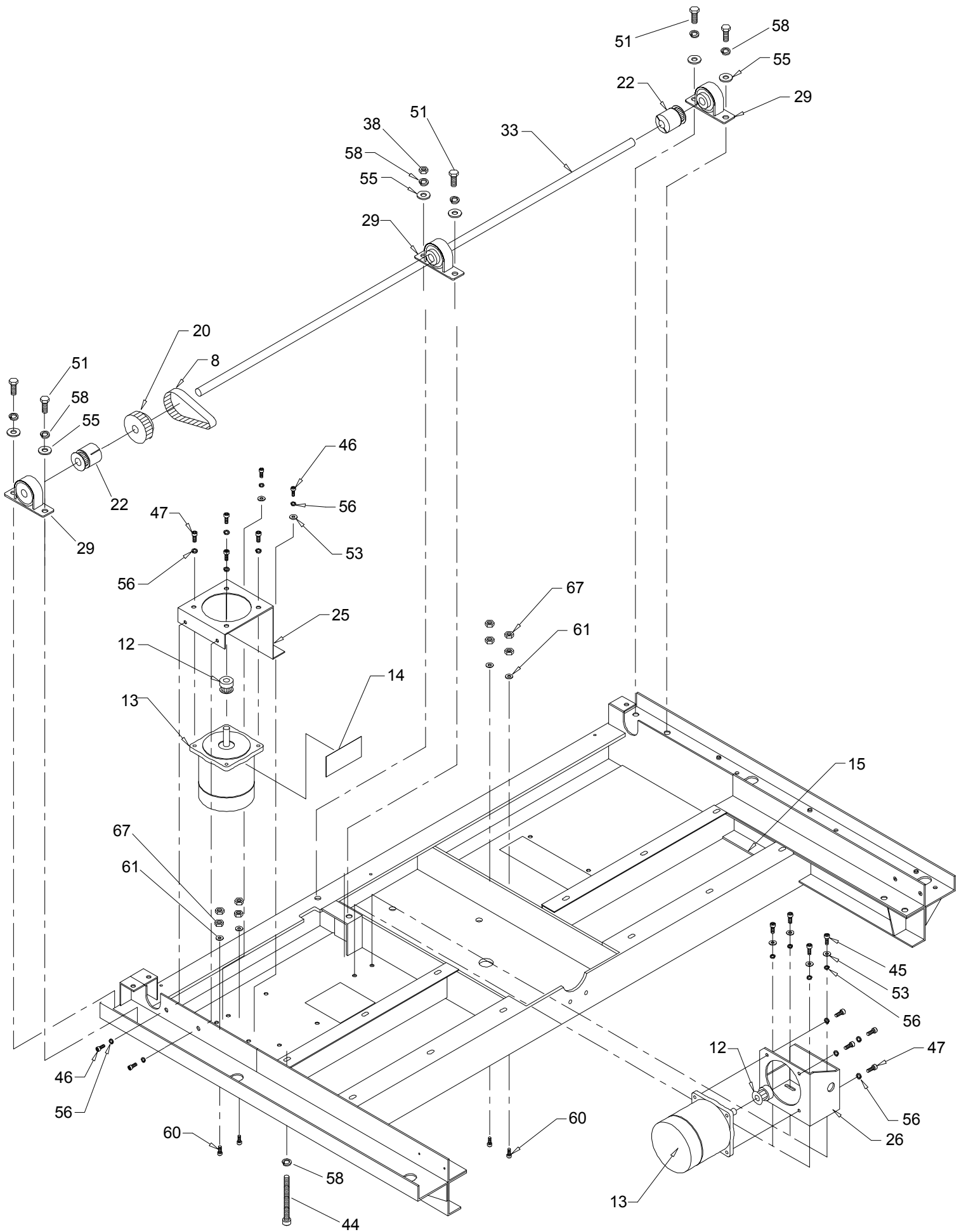
Copyright 11/2000, revised 3/2004

Barudan America, Inc.

Part Numbers are subject to change due to continuing improvements

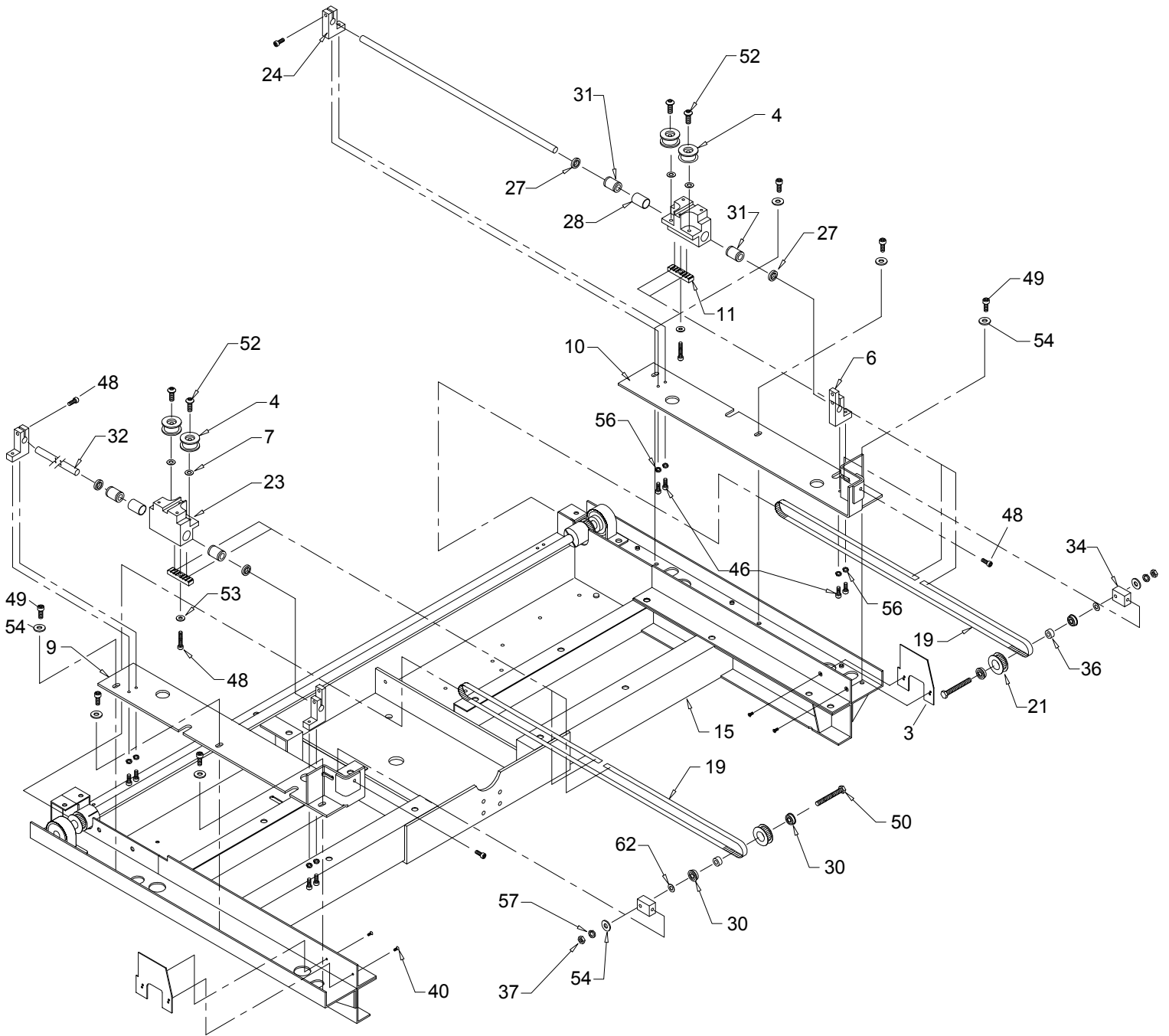
Parts Identification

- Base Assembly H/Y
- Base Assembly - Drive Unit
- Head Installation
- Table Top Assembly
- V/X Drive Belt
- Limit Switch Assembly
- Cover & Thread Stand Assembly
- Thread Stand Assembly
- Head Assembly
- Main Motor Assembly
- Pantograph Arm Assembly
- Barudan Hoop Adapter Assembly
- Hoop Attaching Accessories
- CRT Arm Assembly
- Tension Release Solenoid
- Door Assembly
- Console Assembly
- Left Cover Assembly
- B2000 Machine Assembly #1
- B2000 Machine Assembly #2
- Tension Assembly
- Bobbin Winder Tension Assembly
- Bobbin Winder Assembly
- Sewing Head Parts - View 1
- Sewing Head Parts - View 2A
- Sewing Head Parts - View 2B
- Sewing Head Parts - View 3A
- Sewing Head Parts - View 3B
- Sewing Head Parts - View 4A
- Sewing Head Parts - View 4B
- Sewing Head - Front View
- Sewing Head - Trimmer #4
- Thread Trimmer
- Thread Wiper Mechanism



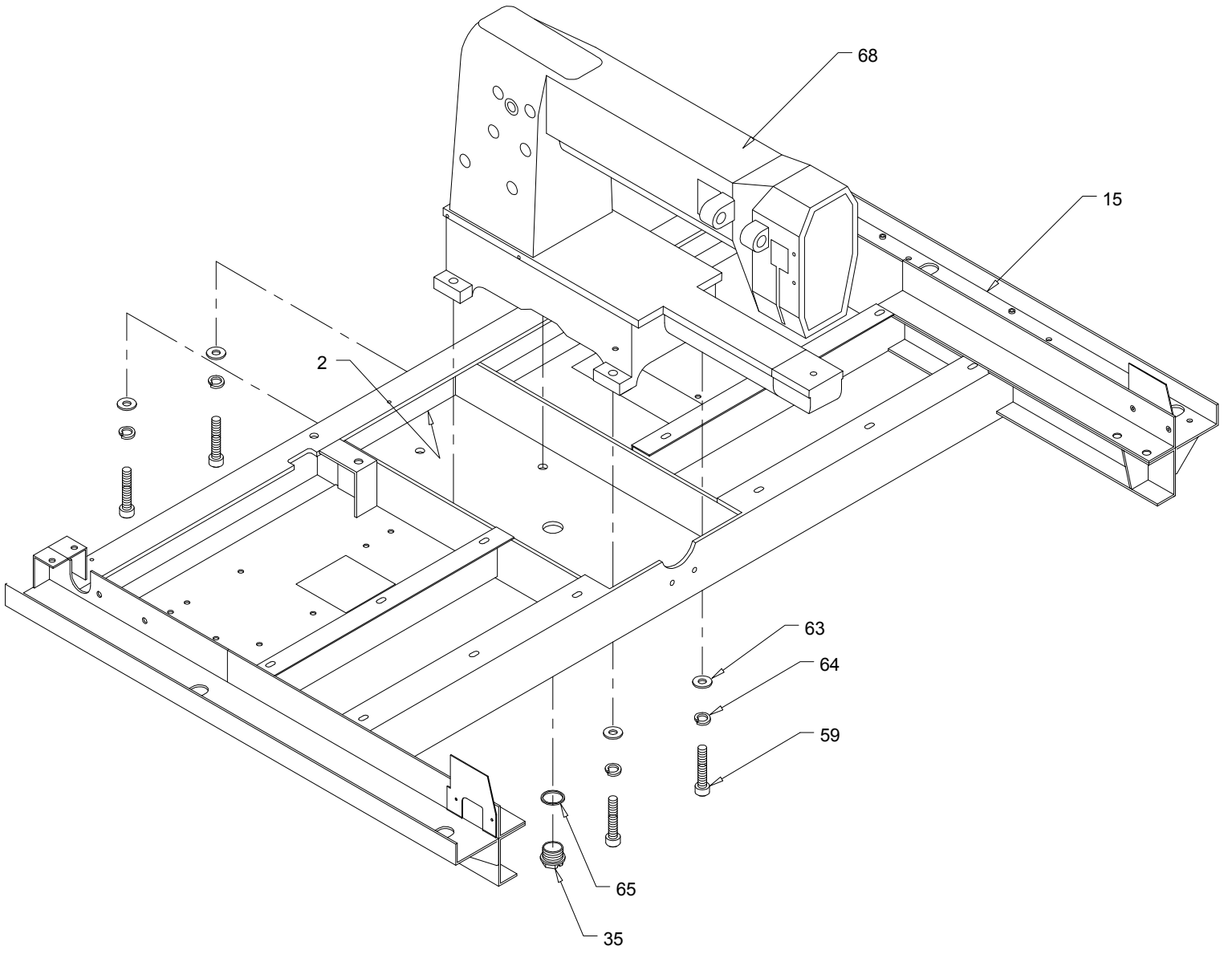
BASE ASSEMBLY

ITEM	PART NO.	DESCRIPTION	QTY
8	P720040	BELT, TIMING 140XL037	1
12	P700411	PULLEY, TIMING (10XL037)	2
13	P700560	STEPPER MOTOR, PANTO	2
14	P701912	DECAL, STEPPER MOTOR SPECS	1
15	P710013	BASE, WELDMENT AND FABRICATION, M2000	1
20	P710412	PULLEY, TIMING (30XL037) METRIC BORE	1
22	P710414	PULLEY, TIMING (15XL037) METRIC BORE	2
25	P730106	BRACKET, X-STEP MOTOR, METRIC	1
26	MG480040	BRACKET, Y-STEP MOTOR	1
29	P730460	BEARING, PILLOW BLOCK, 12mm	3
33	P730621	SHAFT, DRIVE Y-PANTO 12MM	1
38	BN109M8	NUT, M8 X 1.25 HEXAGONAL	1
44	BN2M8X80	SCREW, M8 X 1.25 X 80.00 mm LG. SOCKET HEAD CAP	1
45	BN3M5X10	SCREW, M5 X 0.8 X 10.00 mm LG. HEX SOCKET HEAD CAP	4
46	BN3M5X12	SCREW, M5 X 0.8 X 12.00 mm LG. SOCKET HEAD CAP	19
47	BN3M5X16	SCREW, M5 X 0.8 X 16.00 mm LG. SOCKET HEAD CAP	8
51	BN56M8X20	BOLT, M8 X 1.25 X 20.00 mm LG. HEX HEAD	5
53	BN715M5	WASHER, M5 FLAT	7
55	BN715M8	WASHER, M8 FLAT	6
56	BN760M5	WASHER, M5 HELICAL SPRING LOCK	23
58	BN760M8	WASHER, M8 HELICAL SPRING LOCK	6
61	P840535	WASHER, FLAT BRASS	4
67	P840742	NUT, #10 BRASS	8
60	P840444	SCREW, #10 BRASS	4



BASE ASSEMBLY - Y (H) DRIVE UNIT

ITEM	PART NO.	DESCRIPTION	QTY
3	MF250130	COVER PLATE	2
4	MF480030	IDLER	7
6	MF480150	HOLDER, SHAFT	2
7	MF480420	SPACER (10 * 5.1 * 2.6)	7
9	P700105	BRACKET, LEFT SIDE MOUNT ANGLE	1
10	P700106	BRACKET, RIGHT SIDE MOUNT ANGLE	1
11	P700240	CLAMP, TIMING BELT Y-PANTO	2
15	P710013	BASE, WELDMENT AND FABRICATION, M2000	1
19	P710040	BELT, TIMING XL037, LONG	2
21	P710413	PULLEY, TIMING.(IDLE)	2
23	P710530	CARRIER, H-PANTOGRAPH	2
24	P730101	BRACKET, REAR SHAFT SUPPORT	2
27	P730415	RETAIN RING, BEARING TI-75	4
28	P730440	SPACER, CARRIER BUSHING	2
30	P730462	BEARING, FLANGE, METRIC A9010039	4
31	P730468	BUSHING, LINEAR CERAMIC-10MM MF480270	4
32	P730620	SHAFT, PRECISION Y-PANTO METRIC	2
34	P730635	BLOCK, PULLEY ADJ. Y-PANTO METRIC	2
36	P820704	1/4" I.D. X .025 SPACER	2
37	BN109M6	NUT, M6 X 1.0 HEXAGONAL	2
40	BN20M3X5	SCREW, M3 X 0.5 X 5.00 mm LG. HEX SOCKET FLAT HEAD	4
46	BN3M5X12	SCREW, M5 X 0.8 X 12.00 mm LG. SOCKET HEAD CAP	8
48	BN3M5X20	SCREW, M5 X 0.8 X 20.00 mm LG. SOCKET HEAD CAP	6
49	BN3M6X16	SCREW, M6 X 1.0 X 16.00 mm LG. HEX SOCKET HEAD CAP	6
50	BN56M6X45	BOLT, M6 X 1.0 X 45.00 mm LG. HEX HEAD	2
52	BN5M5X20	SCREW, M5 X 0.8 X 20.00 mm LG. SOCKET BUTTON HEAD CAP	7
53	BN715M5	WASHER, M5 FLAT	7
54	BN715M6	WASHER, M6 FLAT	8
56	BN760M5	WASHER, M5 HELICAL SPRING LOCK	23
57	BN760M6	WASHER, M6 HELICAL SPRING LOCK	2
62	P840556	1/4" WASHER, SHIM	2



HEAD INSTALLATION

ITEM	PART NO.	DESCRIPTION	QTY
2	9P870002	R.T.V. OIL SEALANT	0.1
15	P710013	BASE, WELDMENT AND FABRICATION, M2000	1
35	P820703	PLUG, PLASTIC	1
59	BN2M8X40	SCREW, M8 X 1.25 X 40.00 mm LG. SOCKET HEAD CAP	4
63	BN715M8	WASHER, M8 FLAT	4
64	BN760M8	WASHER, M8 HELICAL SPRING LOCK	4
65	P840587	7/8" O-RING	1
68	ZP711000	SEWING HEAD ASS"Y	1

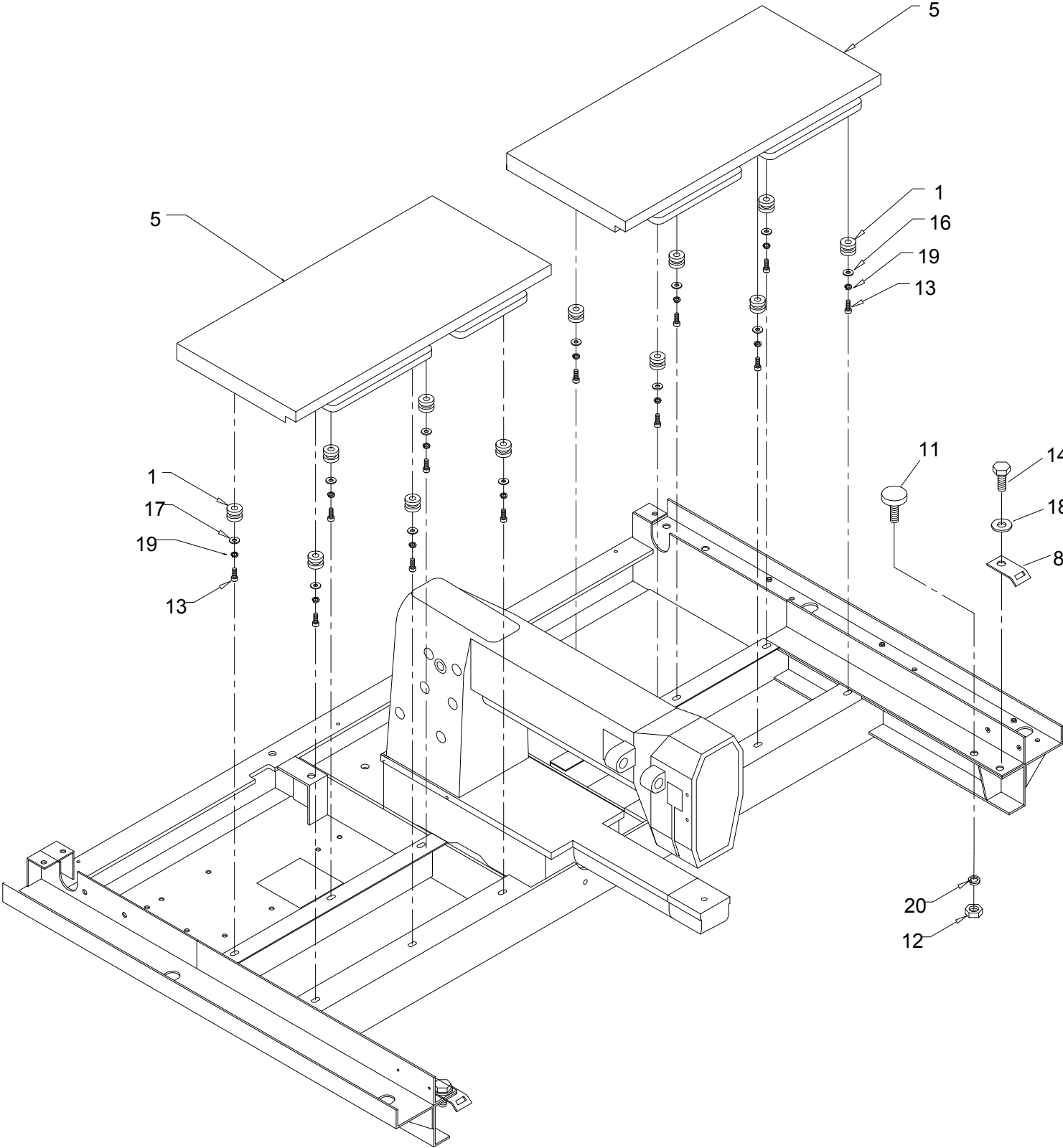


TABLE TOP ASSEMBLY

ITEM	PART NO.	DESCRIPTION	QTY
1	P841054	GROMMET, TABLE TOP SPACER	12
5	P710163	TABLE TOP, REAR M2000	2
8	P720114	BRACKET, TABLE CLAMP, TUBULAR	2
11	P730800	LEVELING FOOT, TABLE, METRIC (MF140040)	2
12	BN115M10	NUT, M10 X 1.5 HEX	2
13	BN2M5X30	SCREW, M5 X 0.8 X 30.0 mm LONG SOCKET HEAD CAP	12
14	BN56M8x20	BOLT, M8 X 1.25 X 20.0mm LONG HEX HEAD	2
16	BN715M5	WASHER, M5 FLAT (P841021)	12
17	BN715M6	WASHER, M6 FLAT	6
18	BN715M8	WASHER, M8 FLAT (P840571)	4
19	BN760M5	WASHER, M5 SPLIT LOCK	12
20	BN760M10	WASHER, M10 SPLIT LOCK	2

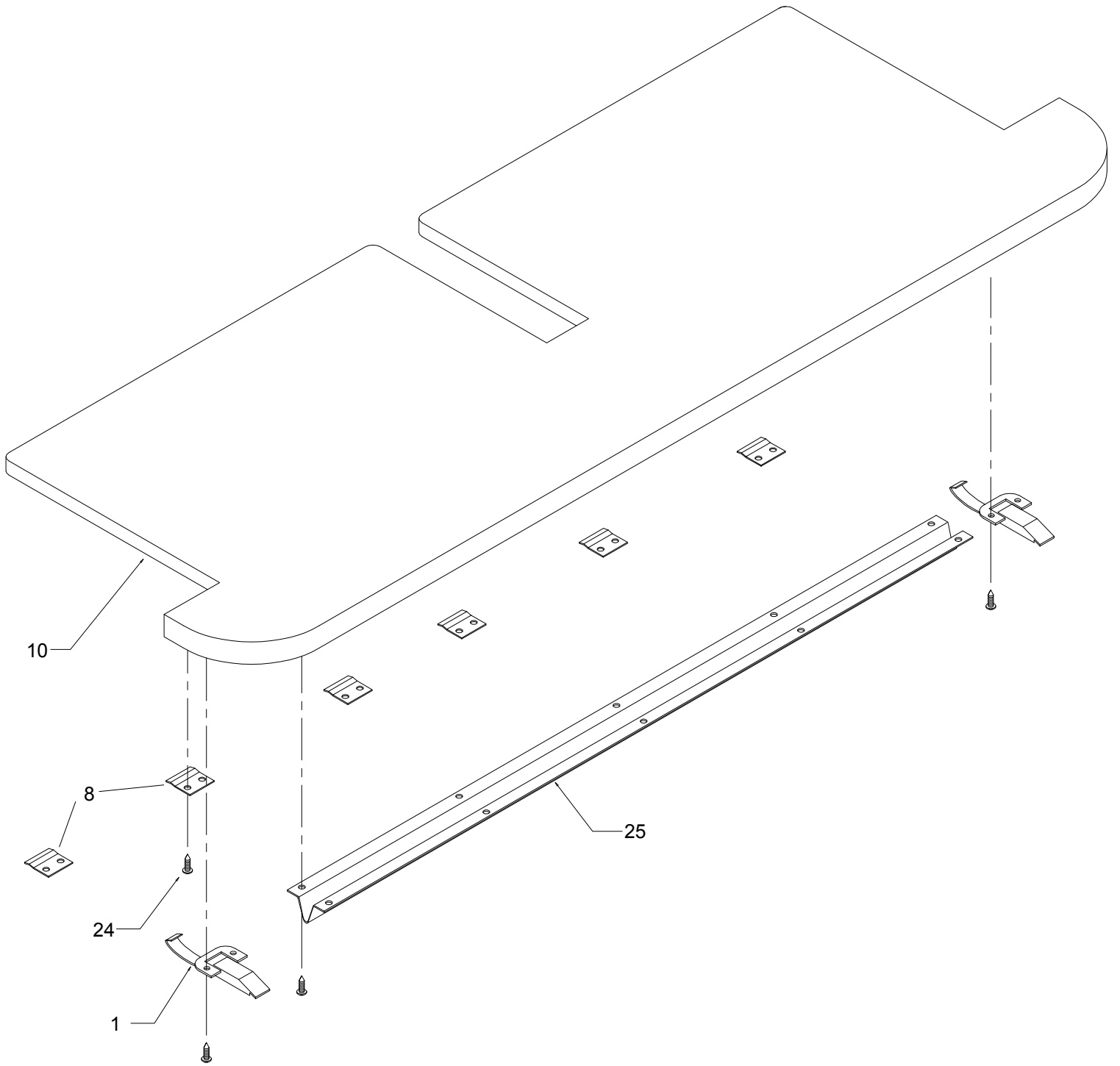
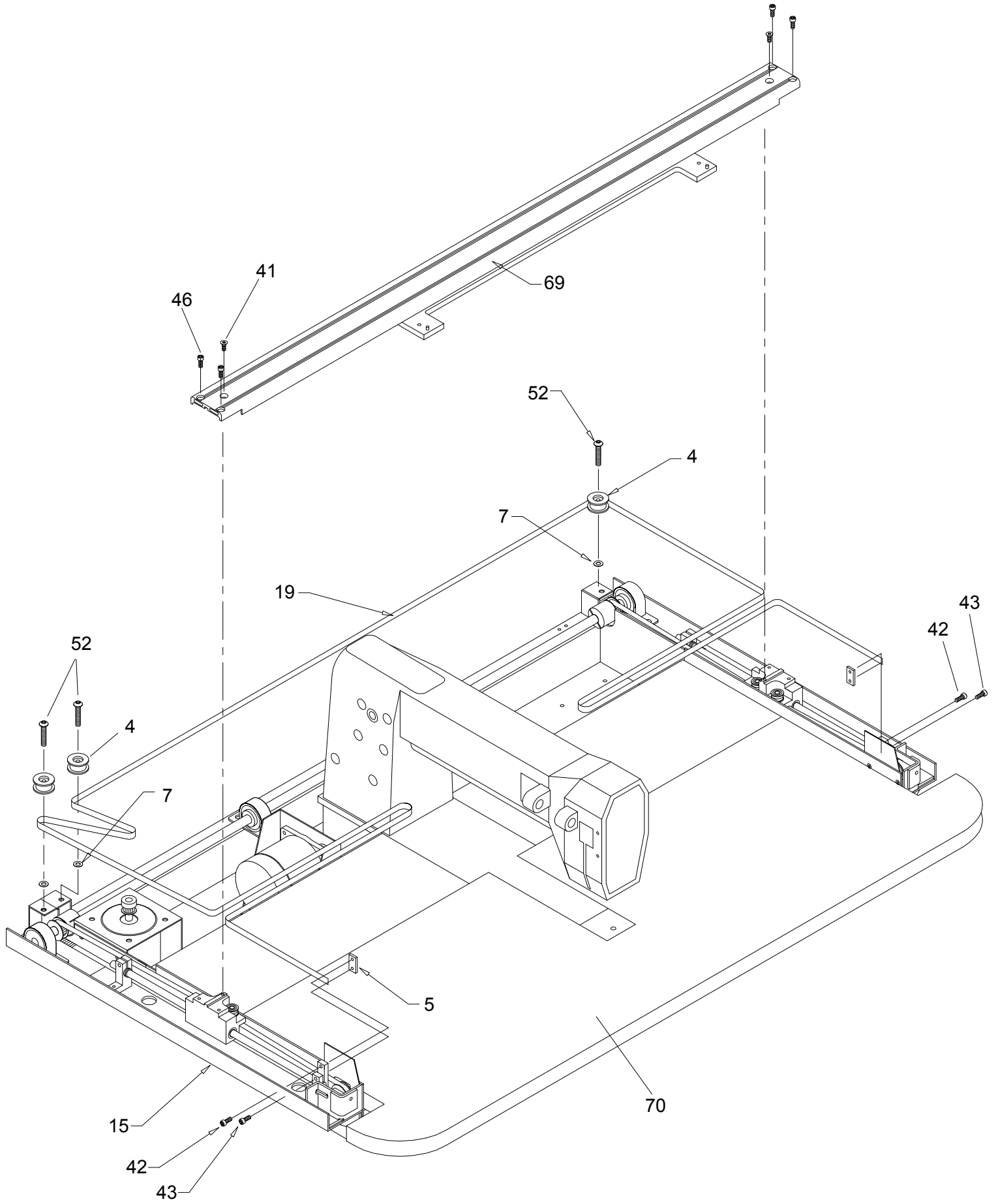


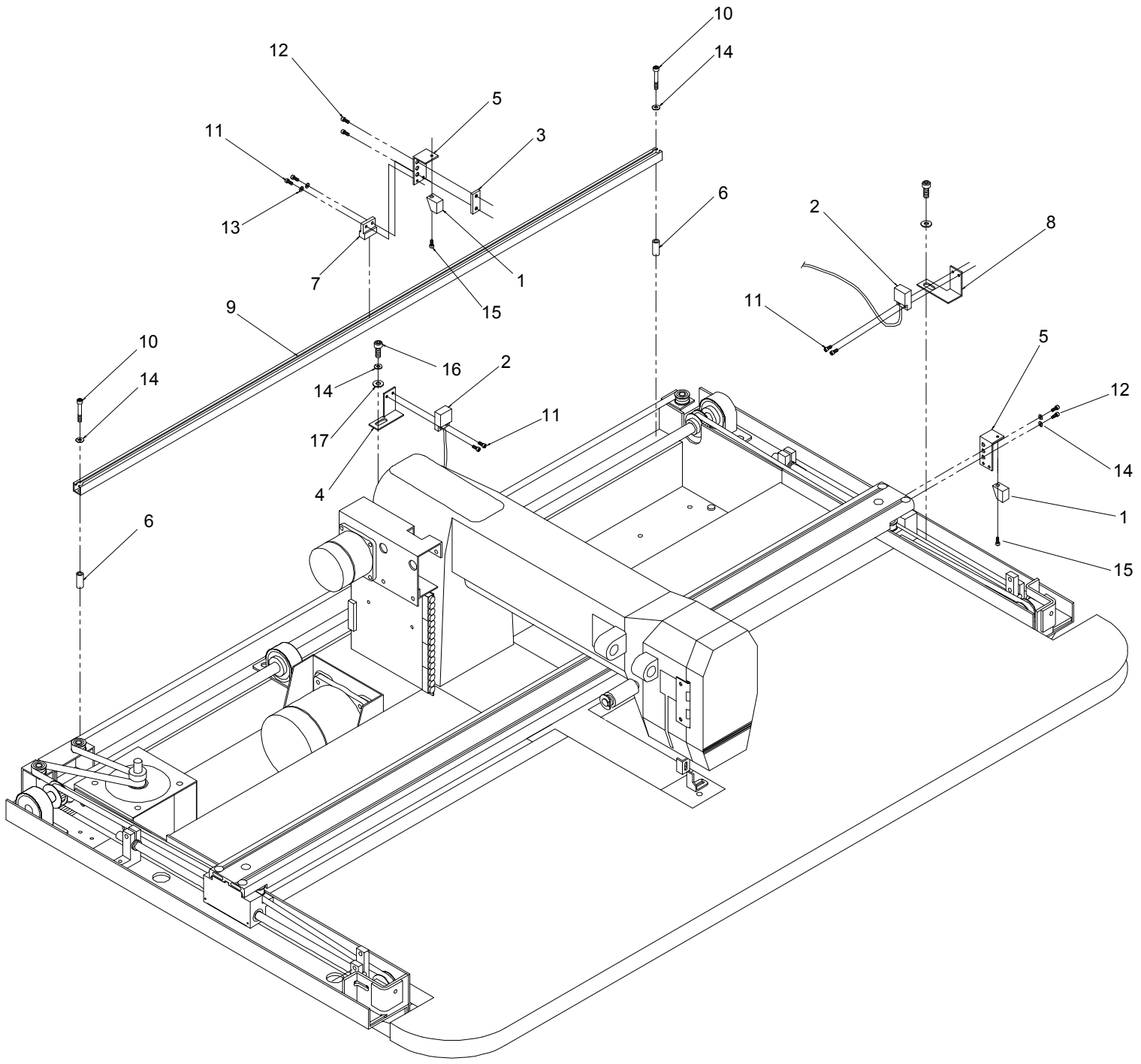
TABLE TOP ASSEMBLY

Item	Part No.	Description	Qty.
1	P520209	CATCH, DRAW PULL	2
8	P720113	BRACKET, LEAF RETAINER, TUBULAR	6
10	P710162	TABLE TOP, LEAF M2000	1
24	P841041	#10x1/2 PHILLIPS PAN HEAD WOOD SCREW	26
25	P720119	TABLE LEAF STIFFENER	1



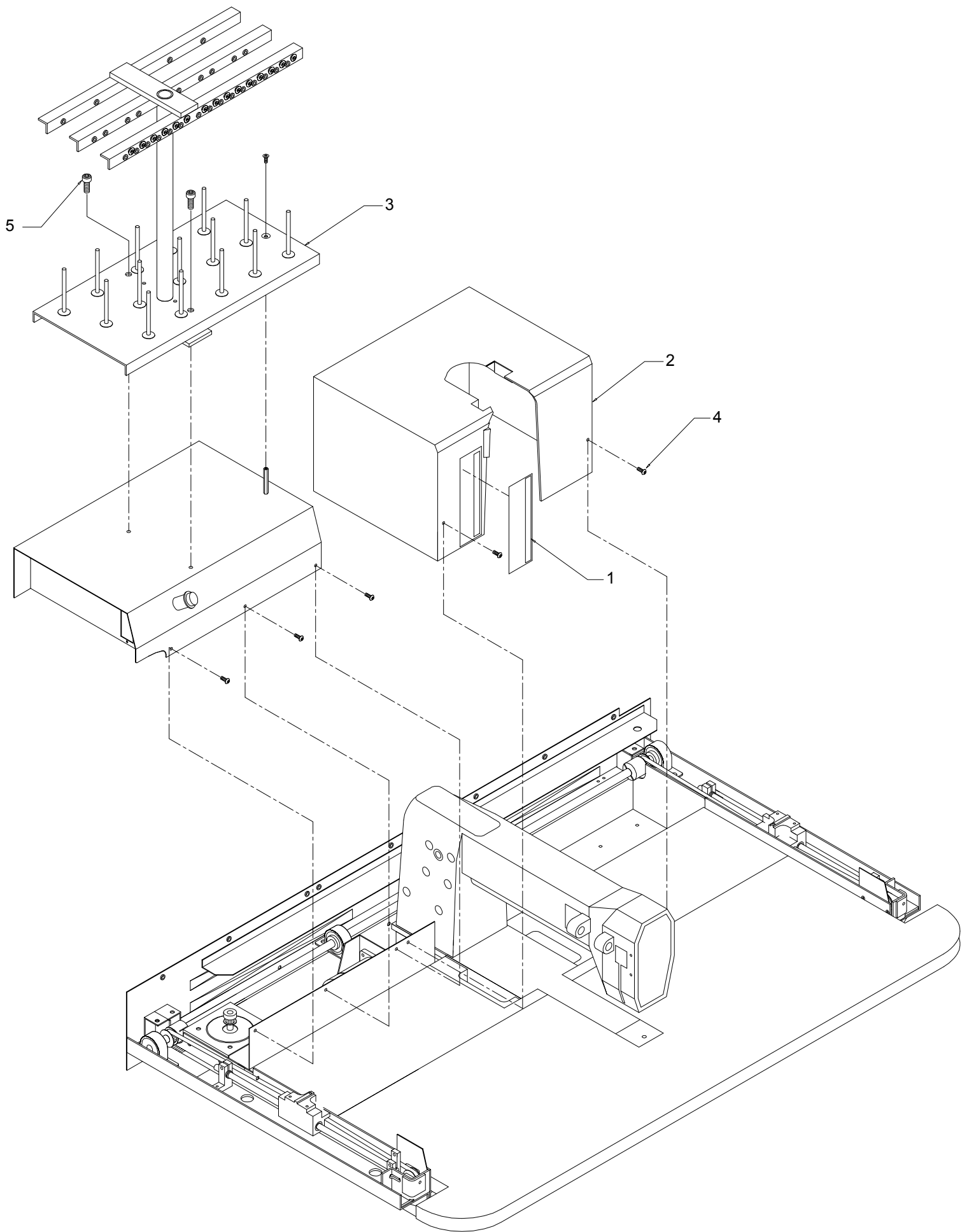
V (X) DRIVE BELT

ITEM	PART NO.	DESCRIPTION	QTY
4	MF480030	IDLER	7
5	MF480090	CLAMP PLATE	2
7	MF480420	SPACER (10 * 5.1 * 2.6)	7
15	P710013	BASE, WELDMENT AND FABRICATION, M2000	1
19	P710041	BELT, TIMING XL037, M2000	1
41	BN20M4X14	SCREW, M4 X 0.8 X 14.00 mm LG. SOCKET FLAT HEAD	2
42	BN272M4X16	SCREW, M4 X 0.7 X 16.00 mm LG. HEXAGONAL SOCKET HEAD CAP	2
43	BN272M4X25	SCREW, M4 X 0.7 X 25.00 mm LG. HEXAGONAL SOCKET HEAD CAP	2
46	BN3M5X12	SCREW, M5 X 0.8 X 12.00 mm LG. SOCKET HEAD CAP	19
52	BN5M5X20	SCREW, M5 X 0.8 X 20.00 mm LG. SOCKET BUTTON HEAD CAP	7
69	ZP711300	M2000 PANTOGRAPH ARM ASSEMBLY	1
70	ZP711701	M2000 TABLE TOP ASSEMBLY	1



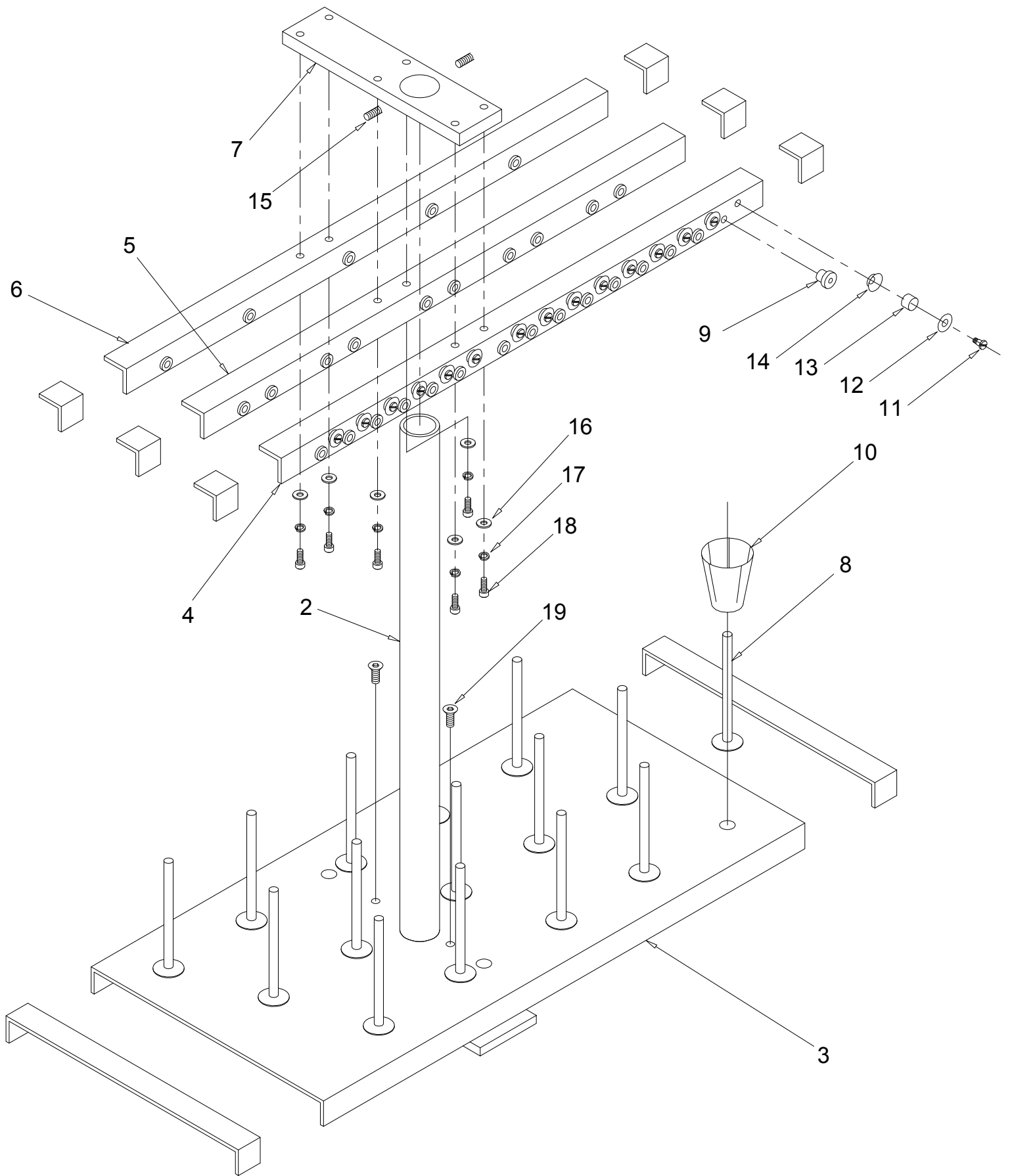
LIMIT SWITCH ASSEMBLY

ITEM	PART NO.	DESCRIPTION	QTY
1	A9052030	MAGNET	2
2	A9052084	MAGNET PROXIMITY SWITCH	2
3	MF480090	CLAMP PLATE	1
4	MF480330	ORIGIN SENSOR BRACKET	1
5	MF480340	MAGNET BRACKET	2
6	MF480350	RAIL FIXING SPACER (L=18)	2
7	MF480360	GUIDE BLOCK	1
8	P710108	BRACKET, H-PROX. SWITCH	1
9	P710631	RAIL, ORIGIN, B2000	1
10	BN272M4X25	SCREW, M4 X 0.7 X 25.00 MM LG. HEX SOCKET HEAD	2
11	BN3M3X10	SCREW, M3 X 0.5 X 10.00 MM LG. SOCKET HEAD CAP	6
12	BN3M4X10	SCREW, M4 X 0.7 X 10.00 MM LG. HEX SOCKET HEAD	4
13	BN760M3	WASHER, M3 HELICAL SPRING LOCK	2
14	BN760M4	WASHER, M4 HELICAL SPRING LOCK	5
15	BN3M3X6	SCREW, M3 X 0.5 X 6MM LG. HEX SOCKET HEAD	2
16	BN3M4X8	SCREW, M4 X 0.5 X 8MM LG. HEX SOCKET HEAD	1
17	BN715M4	WASHER, M4 FLAT	1



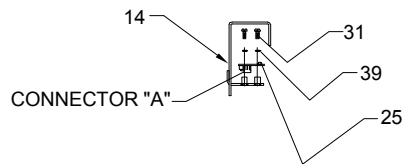
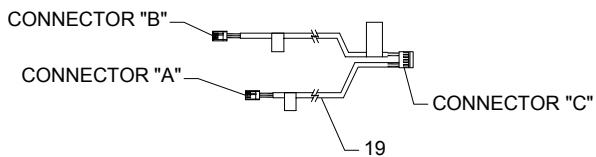
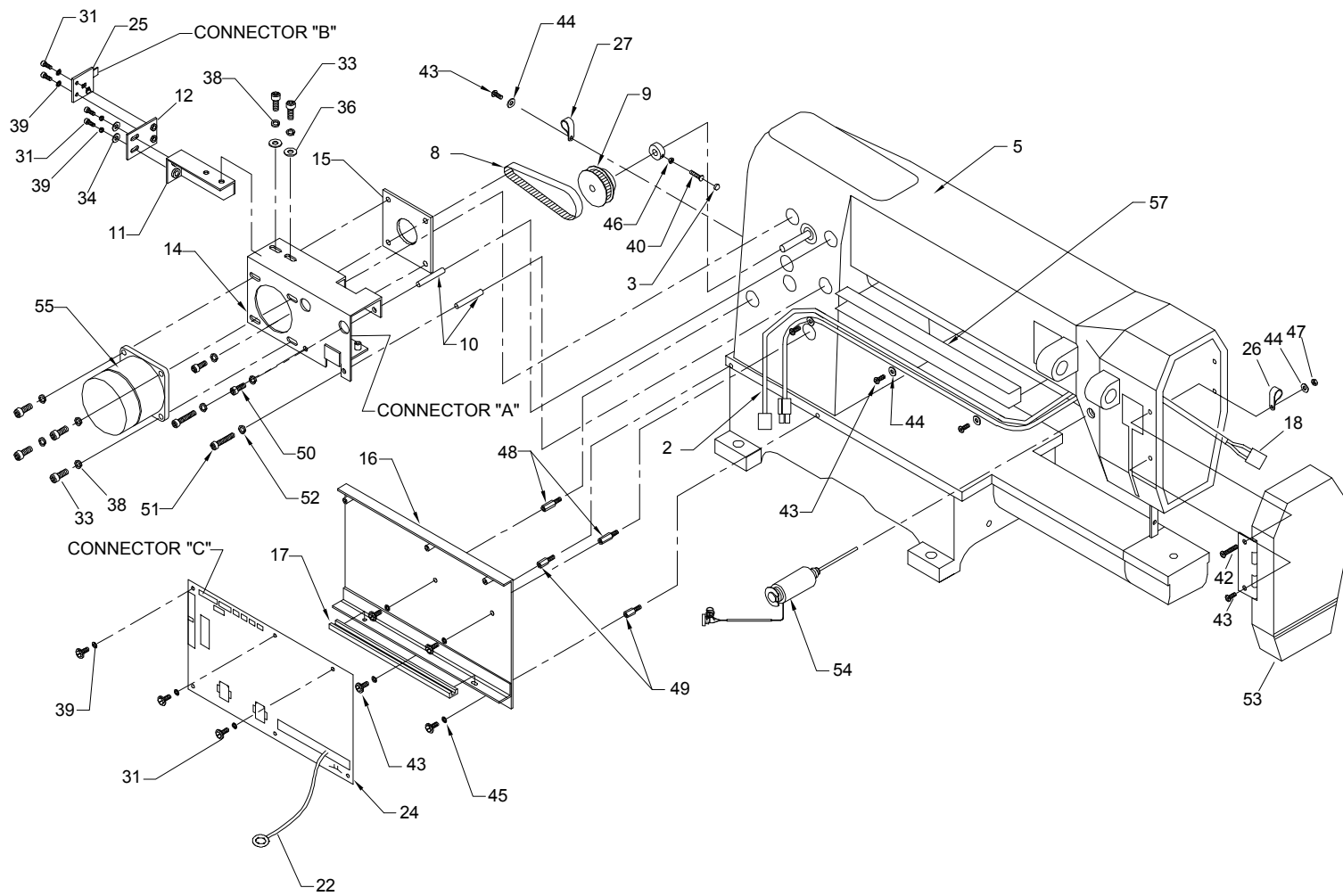
COVER & THREAD STAND ASSEMBLY

ITEM	PART NO.	DESCRIPTION	QTY
1	P710905	DECAL, STATUS, CENTER COVER	1
2	P710012	COVER, CENTER TRIM	1
3	P710701	THREAD, BASE ASS'Y M2000	1
4	BN19M5X10	SCREW, M5 X 0.8 X 10.00 mm LG. SOCKET BUTTON HEAD CAP	5
5	BN3M6X12	SCREW, M6 X 1.0 X 12.00 mm LG. HEXAGONAL SOCKET HEAD CAP	2



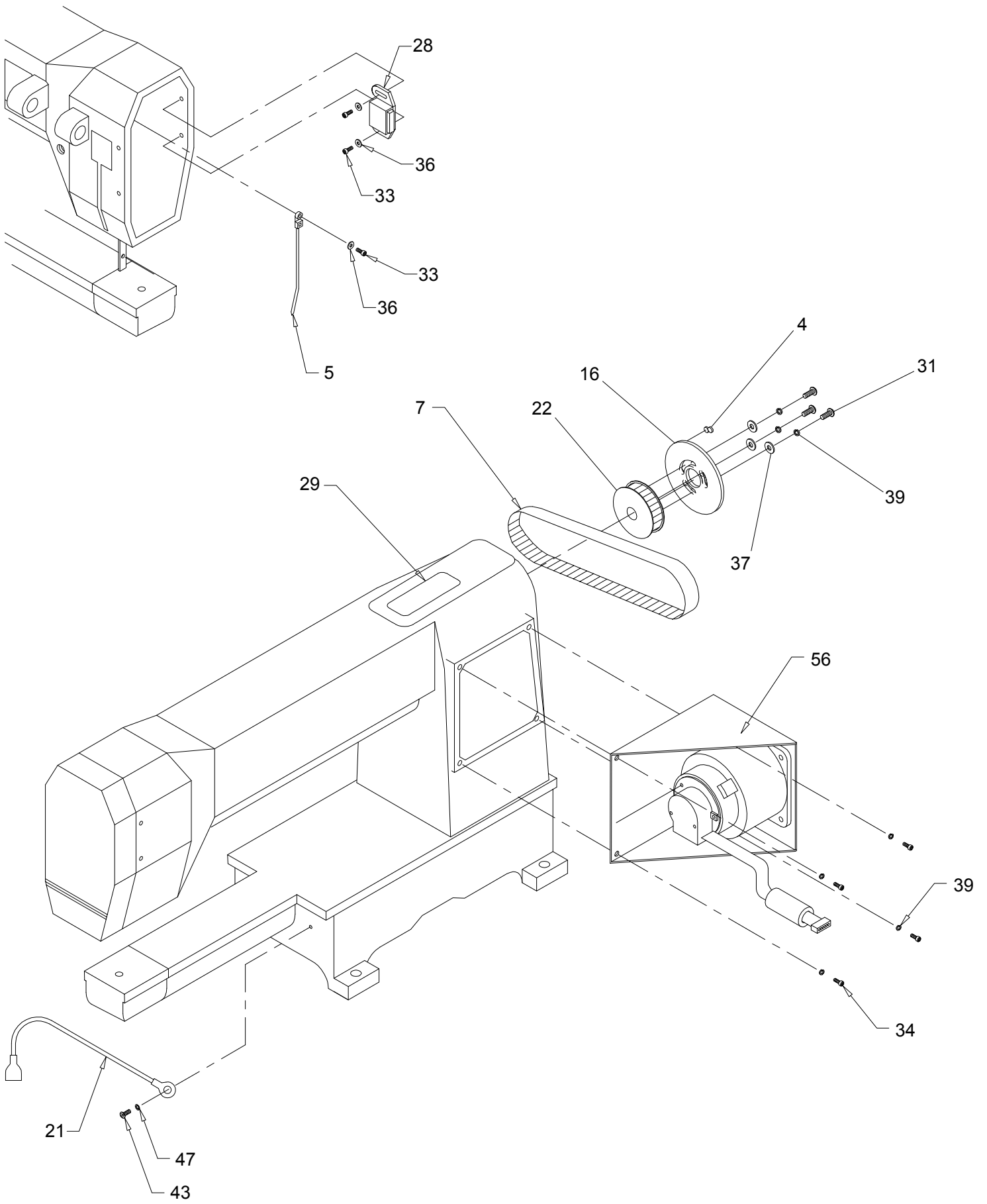
THREAD STAND ASSEMBLY (P710701)

ITEM	PART NO.	DESCRIPTION	QTY
1		BASE,THREAD STAND (BENT)	1
2		TUBE,THREAD GUIDE SUPPORT	1
3		BRACKET,THREAD STAND ATTACHING	1
4		HANGER,THREAD FRONT	1
5		HANGER,THREAD MIDDLE	1
6		HANGER,THREAD REAR	1
7		PLATE,TOP THREAD HANGER SUPPORT	1
8	A200097	PIN,ARM SPOOL SUPPORT TUBE	15
9	HT240480	EYELET,THREAD GUIDE	30
10	P700702	SPIDER, THREAD	15
11	P700801	(KF250250) SCREW M27	15
12	P700802	(KF250230) WASHER FOR M27	15
13	P700803	(KF250240) SPRING FOR M27	15
14	P700804	(KF250220) THREAD TRAP DISC	15
15	BN24M5X6	SCREW,M5 X 0.8 X 6.0 SOC.SET	2
16	BN715M4	WASHER,M4 FLAT	6
17	BN760M4	WASHER,M4 SPLIT LOCK	6
18	BN3M4X10	SCREW,M4 X 0.7 X 10 SOC.HEAD CAP	6
19	BN3333M4X8	SCREW,M4 X 0.7 X 8.0 PHIL.CROSS REC. FH	2



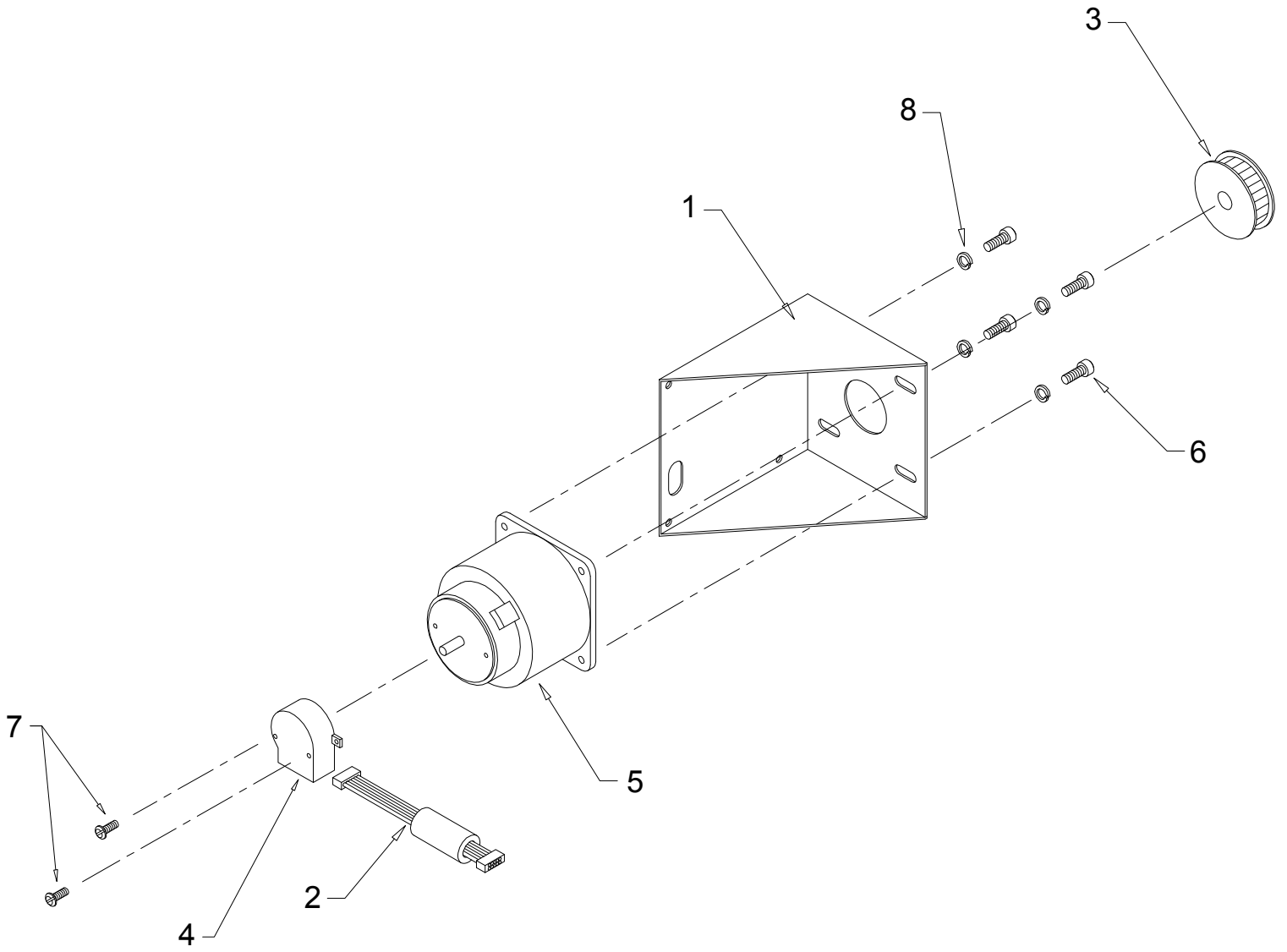
HEAD ASSEMBLY

ITEM	PART NO.	DESCRIPTION	QTY
1	9P820350	3/32 SHRINK TUBING BLACK BULK	2
2	P312028	3" CABLE TIES	4
3	P413018	MAGNET	3
4	P530238	TIE, CABLE SEWING HEAD	1
5	P661002	CYLINDER ARM HEAD, TRIMMER	1
7	P700038	BELT, TIMING (165L050)	1
8	P700043	BELT, TIMING (100MXL025)	1
9	P700415	PULLEY, TIMING (48MXL025)	1
10	P700805	SPACER - #8-32-1.25 SLOT. ALUM.	2
11	P710102	BRACKET, H.E.S. ADJUST	1
12	P710103	BRACKET, H.E.S. P.C.B. MOUNT	1
13	P710104	BRACKET, HALL EFFECT MAGNET	1
14	P710106	BRACKET, STITCH WIDTH MOTOR / HES PCB	1
15	P710107	BRACKET, STITCH WIDTH MOUNTING	1
16	P710111	BRACKET, HEAD PCB M2000	1
17	P710302	GUIDE, CARD RACK	1
18	P710356	CABLE, LCD LAMP POWER	1
19	P710357	CABLE, NPS-SWL, HES	1
20	P710363	CABLE, TRIM SWITCH TO SEW PCB	1
21	P710383	CABLE, GROUND, SEWING HEAD	1
22	P710387	CABLE, GROUND, HEAD PCB	1
23	P710410	PULLEY, MOTOR	1
24	P710624	PCB, HEAD, TRIMMER, M2000	1
25	P722660	PCB, HALL EFFECT Y-AXIS	2
26	P820056	1/8" CABLE CLIPS	1
27	P820066	1/4" CABLE CLIP - BLACK	1
28	P820700	MAGNET, SEWING HEAD.	1
29	P896026	ACCESS COVER OIL DECAL	1
30	BN19M4X10	SCREW, M4X10.00 LG. BUTTON SOCKET HEAD CAP	3
31	BN3M3X10	SCREW, M3X10.00 LG. HEXAGONAL SOCKET HEAD CAP	9
32	BN3M4X10	SCREW, M4X10.00 LG. HEXAGONAL SOCKET HEAD CAP	4
33	BN3M5X10	SCREW, M5 X 0.8 X 10.00 mm LG. HEXAGONAL SOCKET HEAD CAP	6
34	BN715M3	WASHER, M3 FLAT	5
35	BN715M4	WASHER, M4 FLAT	3
36	BN715M5	WASHER, M5 FLAT	2
37	BN760M4	WASHER, M4 HELICAL SPRING LOCK	7
38	BN760M5	WASHER, M5 HELICAL SPRING LOCK	6
39	BN790M3	WASHER, M3 INTERNAL TOOTH LOCK	6
40	P840040	#4-40 X 3/4 PEM STUD SELF-CLINCHING	1
41	P840160	#6-32X1/4 SLOT.HEX WASH.HD SCREW	4
42	P840409	#6-32 X 3/4 PHIL.PAN HD SCREW	1
43	P840413	#6-32 X 3/8 PHIL PAN HD SCREW	6
44	P840510	#6 FLAT WASHER	5
45	P840511	#6 LOCKWASHER, INTERNAL TOOTH	5
46	P840715	#4-40 HEX NUT	1
47	P840720	#6-32 HEX NUT	1
48	P840721	#6-32X1/2 HEX MALE/FEMALE STAND	2
49	P840723	#6-32X3/8 HEX MALE/FEMALE STAND	2
50	P840065	SCREW, #8-32 UNC-2A X 3/8" LG. HEX SOC HEAD CAP	2
51	P840734	SCREW, #8-32 UNC-2A X 1 3/4" LG. HEX SOCKET HEAD CAP	2
52	P840523	WASHER, #8 HELICAL SPRING LOCK	4
53	ZP711111	M2000 TRIMMER DOOR ASSEMBLY	1
54	ZP711160	M2000 TENSION REL. SOLENOID ASSY.	1
55	ZP711181	M2000 STITCH WIDTH MOTOR ASSY.	1
56	ZP711201	M2000 MAIN MOTOR ASSEMBLY	1
57	P710306	DUCT, SEWING HEAD	1



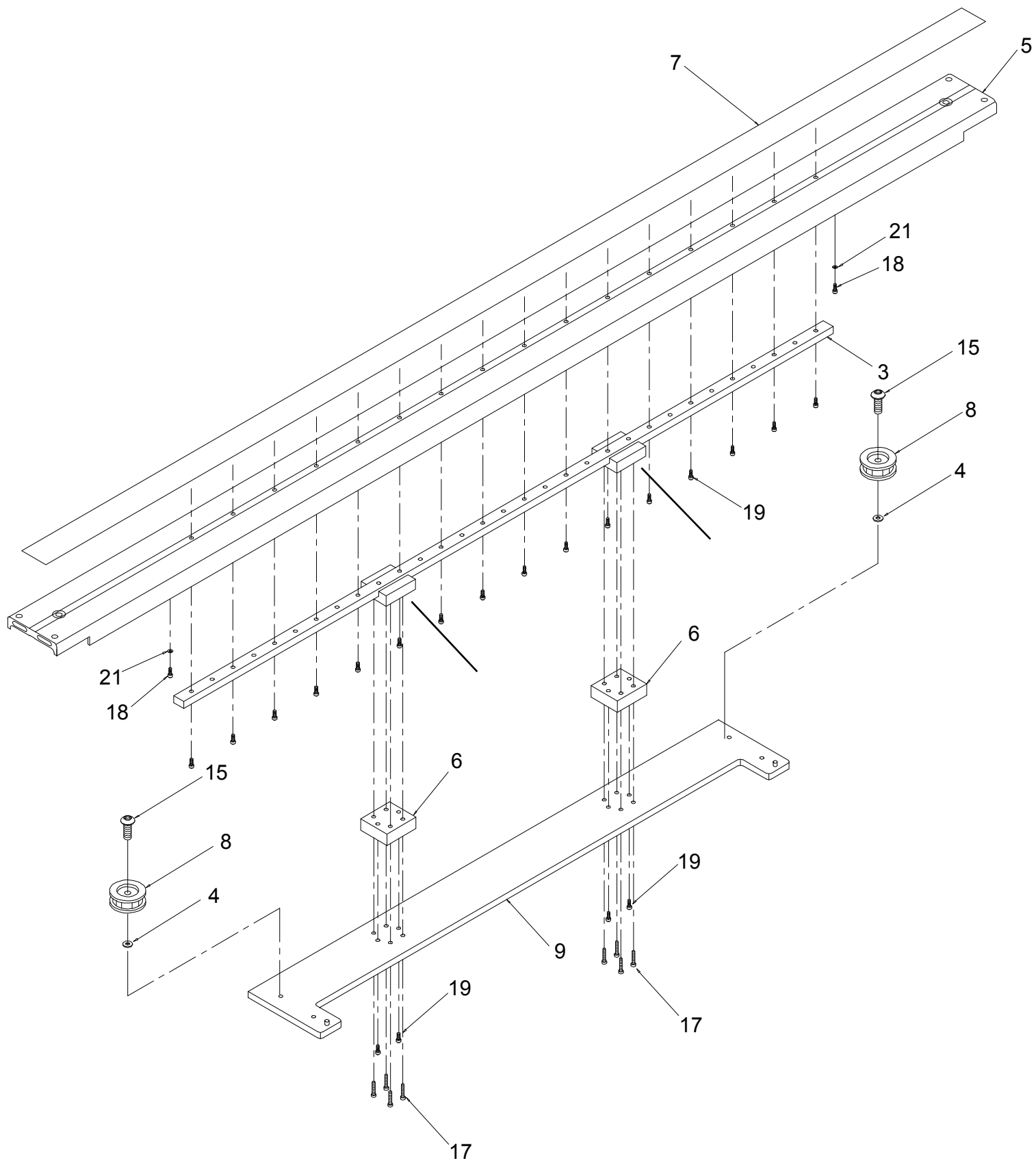
HEAD ASSEMBLY

ITEM	PART NO.	DESCRIPTION	QTY
4	P413018	MAGNET	3
5	P530238	TIE, CABLE SEWING HEAD	1
7	P700038	BELT, TIMING (165L050)	1
16	P710104	BRACKET, HALL EFFECT MAGNET	1
21	P710383	CABLE, GROUND, SEWING HEAD	1
22	P710410	PULLEY, MOTOR	1
28	P820700	MAGNET, SEWING HEAD.	1
29	P896026	ACCESS COVER OIL DECAL	1
31	BN19M4X10	SCREW, M4X10.00 LG. BUTTON SOCKET HEAD CAP	3
33	BN3M3X10	SCREW, M3X10.00 LG. HEXAGONAL SOCKET HEAD CAP	9
34	BN3M4X10	SCREW, M4X10.00 LG. HEXAGONAL SOCKET HEAD CAP	4
36	BN715M3	WASHER, M3 FLAT	5
37	BN715M4	WASHER, M4 FLAT	3
39	BN760M4	WASHER, M4 HELICAL SPRING LOCK	7
43	P840413	#6-32 X 3/8 PHIL PAN HD SCREW	6
47	P840511	#6 LOCKWASHER, INTERNAL TOOTH	5
56	ZP711200	B2000 MAIN MOTOR ASSEMBLY	1



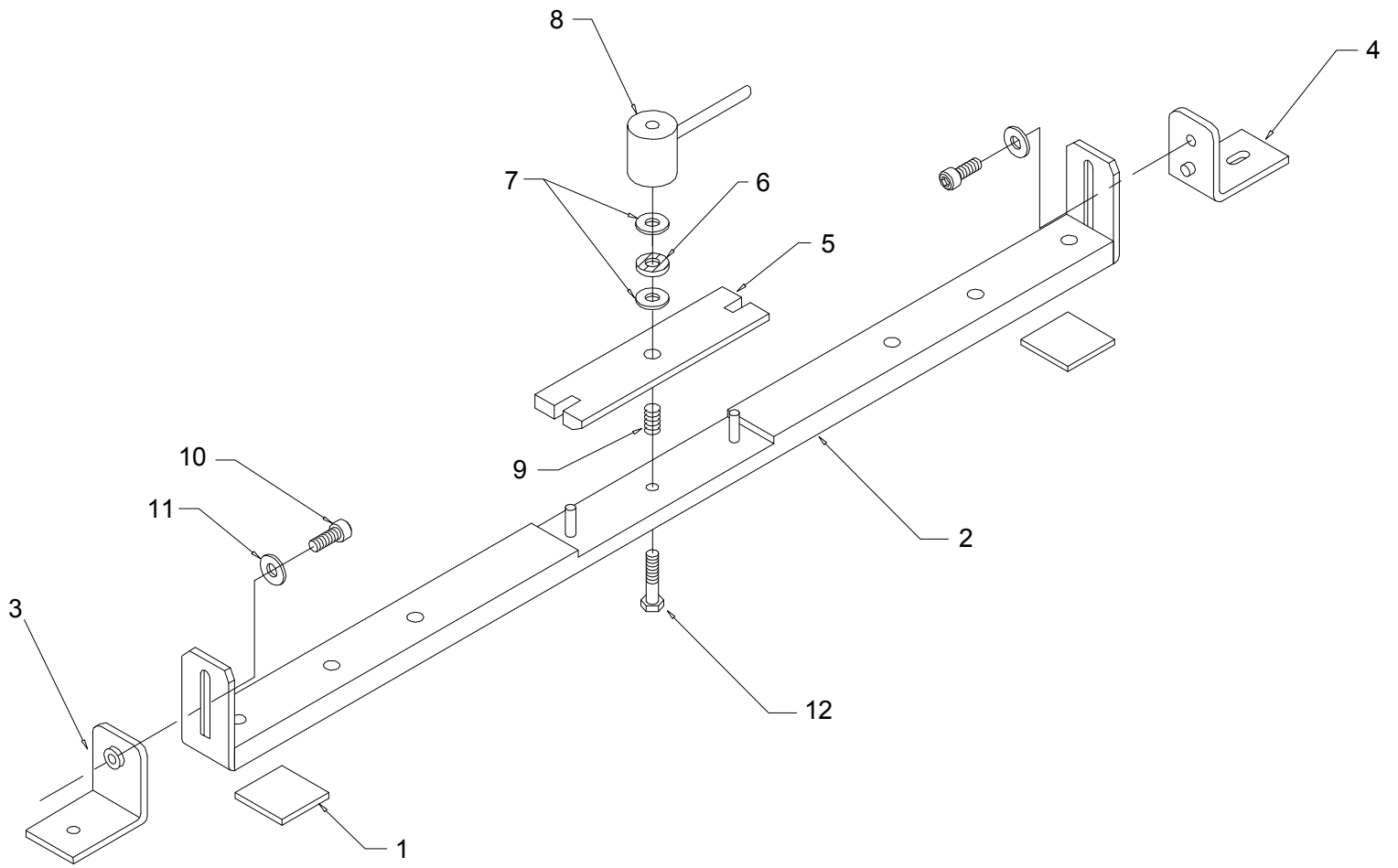
ZP711200 MAIN MOTOR ASSEMBLY

ITEM	PART NO.	DESCRIPTION	QTY
1	P700107	BRACKET, DRIVE MOTOR	1
2	P700342	CABLE, CPU-ENCODER SIGNAL	1
3	P700417	PULLEY, TIMING (16L050)	1
4	P700564	ENCODER, OPTICAL	1
5	P710564	MAIN MOTOR, B2000 SERVO	1
	P700349	CABLE HARNESS, SERVO MOTOR (Not Shown)	1
6	P840060	1/4-28 X 1/2 SOC. HD CAP SCREW	4
7	P840403	#4-40 X 1/4 PAN HD SCREW	2
8	P840580	1/4" LOCK WASHER	4



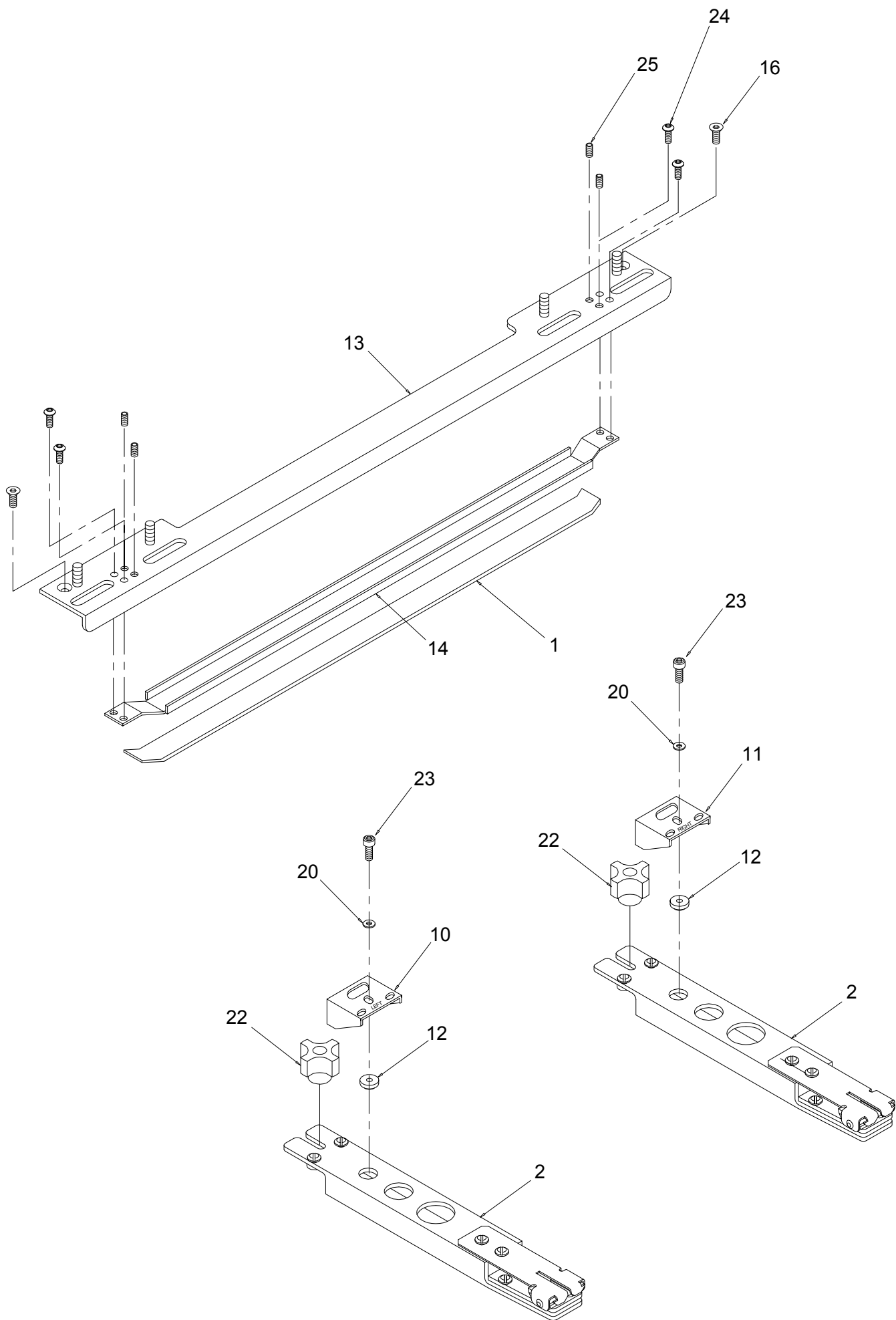
PANTOGRAPH ARM ASSEMBLY

ITEM	PART NO.	DESCRIPTION	QTY
3	A9011237	LM GUIDE (2RSR12ZMUU+780LM)	1
4	MF480420	SPACER (10 * 5.1 * 2.6)	2
5	MG480020	RAIL COVER (LM)	1
6	MG480030	LM SPACER BLOCK	2
7	MF790000	DECAL, PANTOGRAPH ARM.BEAT	1
8	P710411	PULLEY, V-SHAFT ENGLISH	2
9	P710529	CARRIER, PANTOGRAPH	1
15	BN19M5X18	SCREW, M5 X 0.8 X 18.00 MM LG. BUTTON SOCKET HEAD CAP	2
17	BN272M3X18	SCREW, M3 X 0.5 X 18.00 MM LG. SOCKET HEAD CAP	8
18	BN3M3X6	SCREW, M3 X 0.5 X 6.00 MM LG. SOCKET HEAD CAP	2
19	BN3M3X8	SCREW, M3 X 0.5 X 8.00 MM LG. SOCKET HEAD CAP	20
21	BN760M3	WASHER, M3 HELICAL SPRING LOCK	2



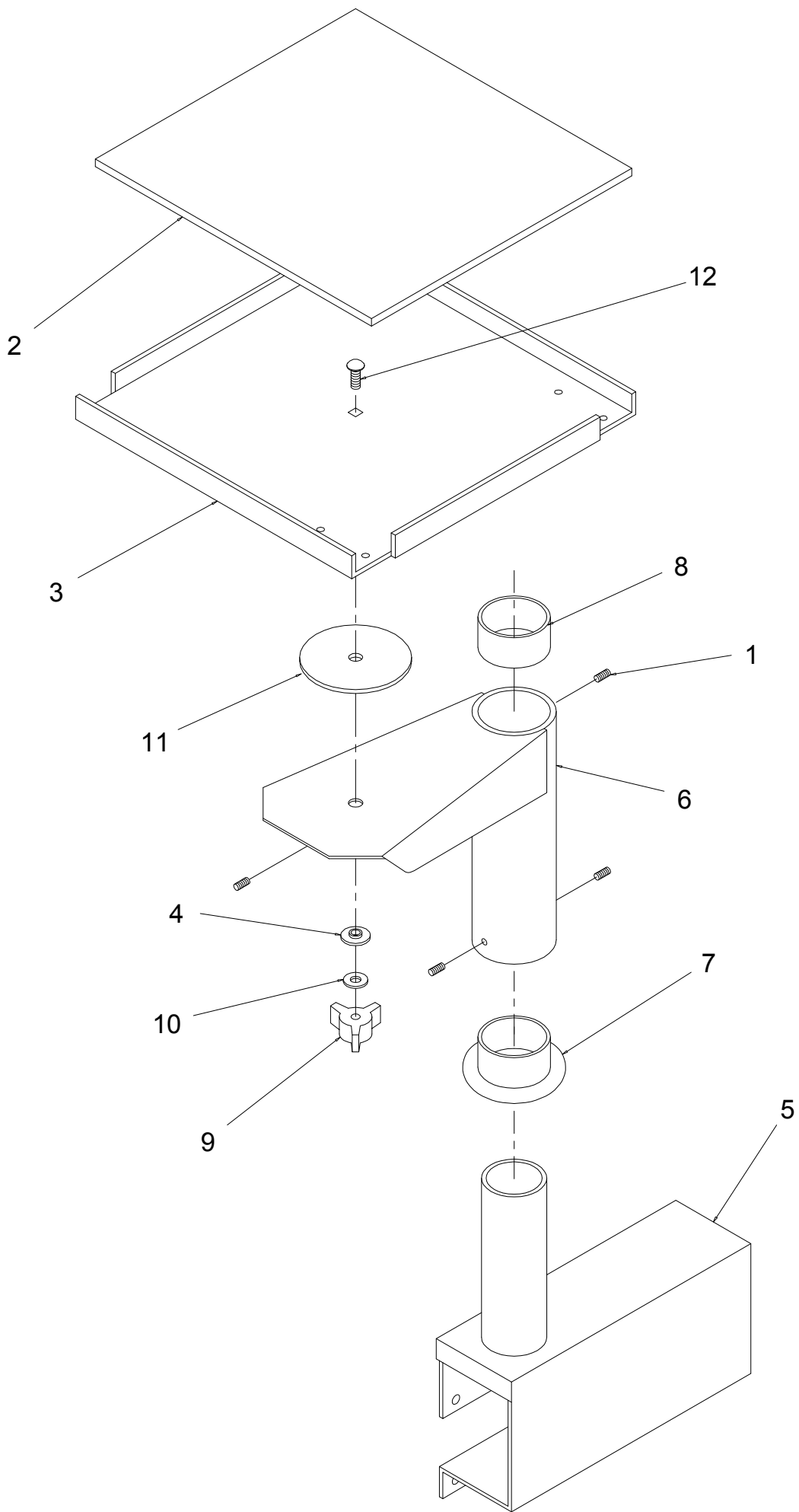
HOOP ADAPTER ASSEMBLY

ITEM	PART NO.	DESCRIPTION	QTY
1	9P720005	FELT, TUBULAR PANTOGRAPH	1
2	P700125	BRACKET, HOOP INTERFACE ADJ.	1
3	P700126	BRACKET, PANTO. RIGHT ADJ.	1
4	P700127	BRACKET, PANTO. LEFT ADJ.	1
5	P700206	CLAMP PLATE, HOOP MOUNT	1
6	P700463	BEARING, THRUST, PANTO	1
7	P700464	BEARING, THRUST WASHER	2
8	P710630	KNOB, HOOP CLAMPING, M2000	1
9	P810053	HOOP CLAMP SPRING	1
10	P840073	#10-32x3/8 HEX SOCKET CAP SCREW	2
11	P840530	#10 FLAT WASHER	2
12	P840615	BOLT, 1/4-20 X 1 1/4" LG. HEX HEAD	1



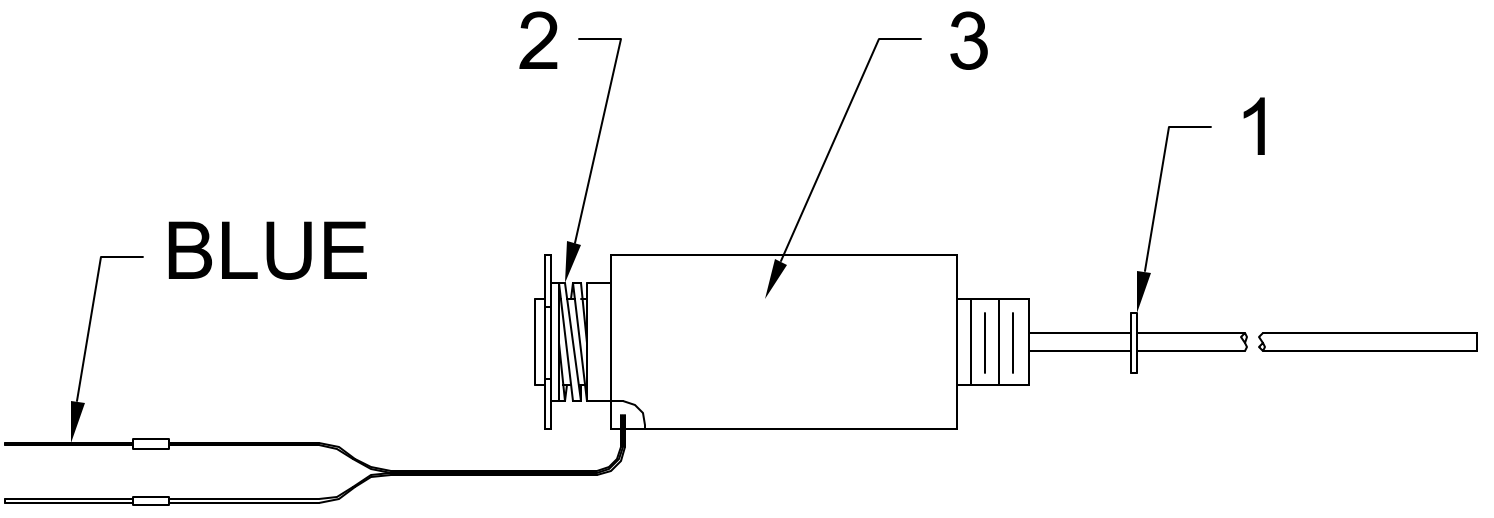
HOOP ATTACHING ACCESSORIES

ITEM	PART NO.	DESCRIPTION	QTY
1	9P720005	FELT, TUBULAR PANTOGRAPH	1
2	A200099	ASS'Y, HOOP SUPPORT (EFP)	2
10	P720511	CLIP, LEFT TUBULAR ARM ALIGNMENT	1
11	P720512	CLIP, RIGHT TUBULAR ARM ALIGNMENT	1
12	P720513	INSERT, 10-32, TUBULAR ALIGNMENT CLIP	2
13	P722140	BRACKET, PANTO. TUBULAR MOUNT, STEEL	1
14	P722141	BRACKET, TUBULAR SUPPORT, STEEL	1
16	BN20M5X12	SCREW, M5 X 0.8 X 12.00 MM LG. HEX SOC. FLAT HEAD CAP	2
20	BN715M5	WASHER, M5 FLAT (P841021)	2
22	P820710	KNOB, PHENOLIC 1/4-20	2
23	P840434	SCREW, #10-32 UNF-2A X 1/2" LG. HEX SOCKET HEAD CAP	2
24	P841001	#10-32X1/2 HEX SOCKET BUTTON HEAD SCREW	4
25	P841002	#10-32X1/4 HEX SOCKET CUP POINT SET SCREW	4



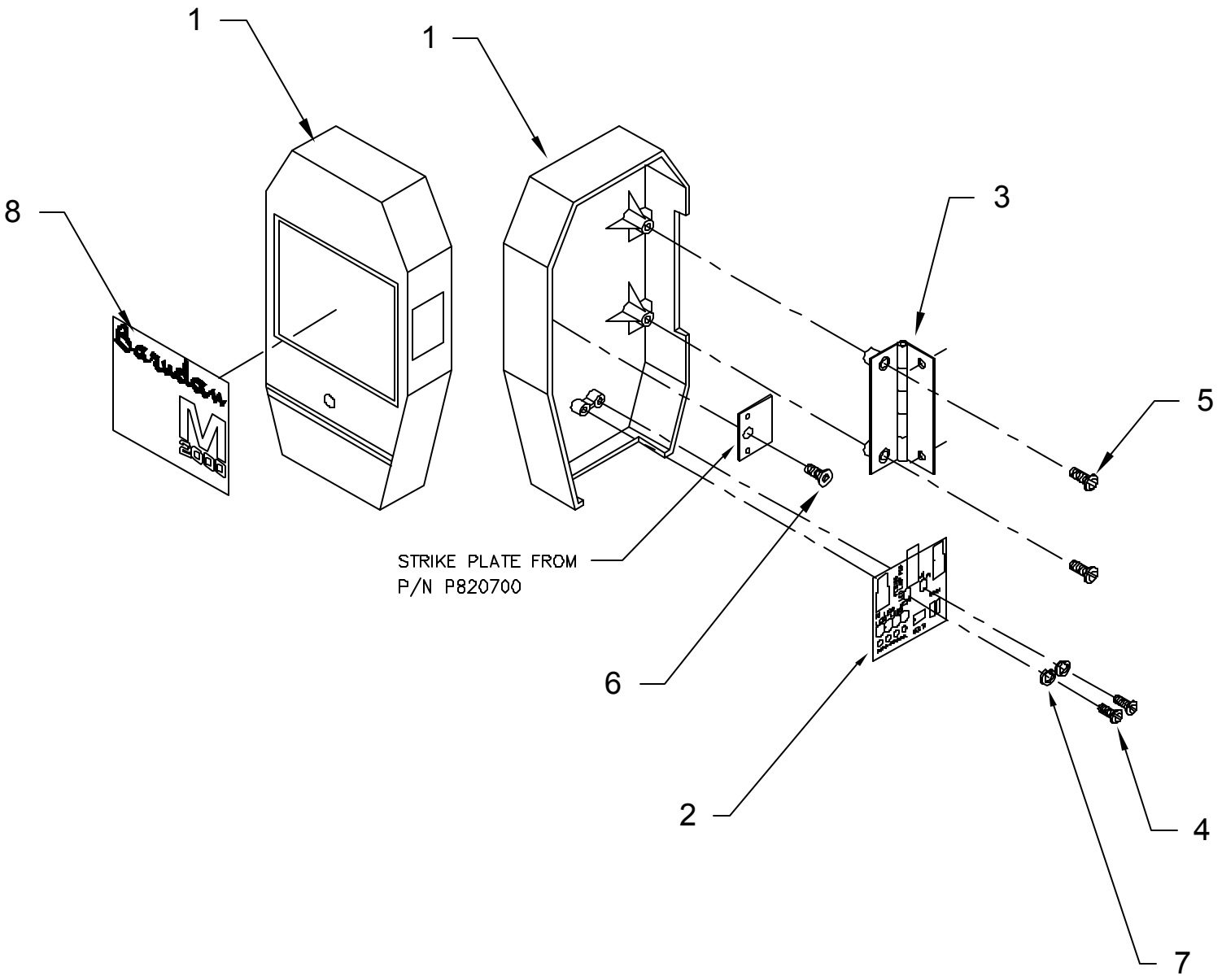
CRT ARM ASSEMBLY

ITEM	PART NO.	DESCRIPTION	QTY
1	BN28M5X6	SCREW,M5X0.8X6.0MM FLAT POINT SOC.SET	4
2	P670116	NON-SKID CRT MAT	1
3	P700014	TRAY, MONITOR	1
4	P700470	BUSHING, MONITOR TRAY SWIVEL	1
5	P710520	BRACKET, CRT B2000	1
6	P710521	CRT, ARM B2000	1
7	P722432	BUSHING, CRT ARM FLANGED	1
8	P722433	BUSHING, CRT ARM	1
9	P820706	1/4-20 NUT DECORATIVE KNOB	1
10	P840501	1/4 SPRING TENSION WASHER	1
11	P840557	WASHER, NYLON, CRT TRAY	1
12	P840611	1/4-20X1 1/8 R.H. SHORT SQ NECK BLT	1



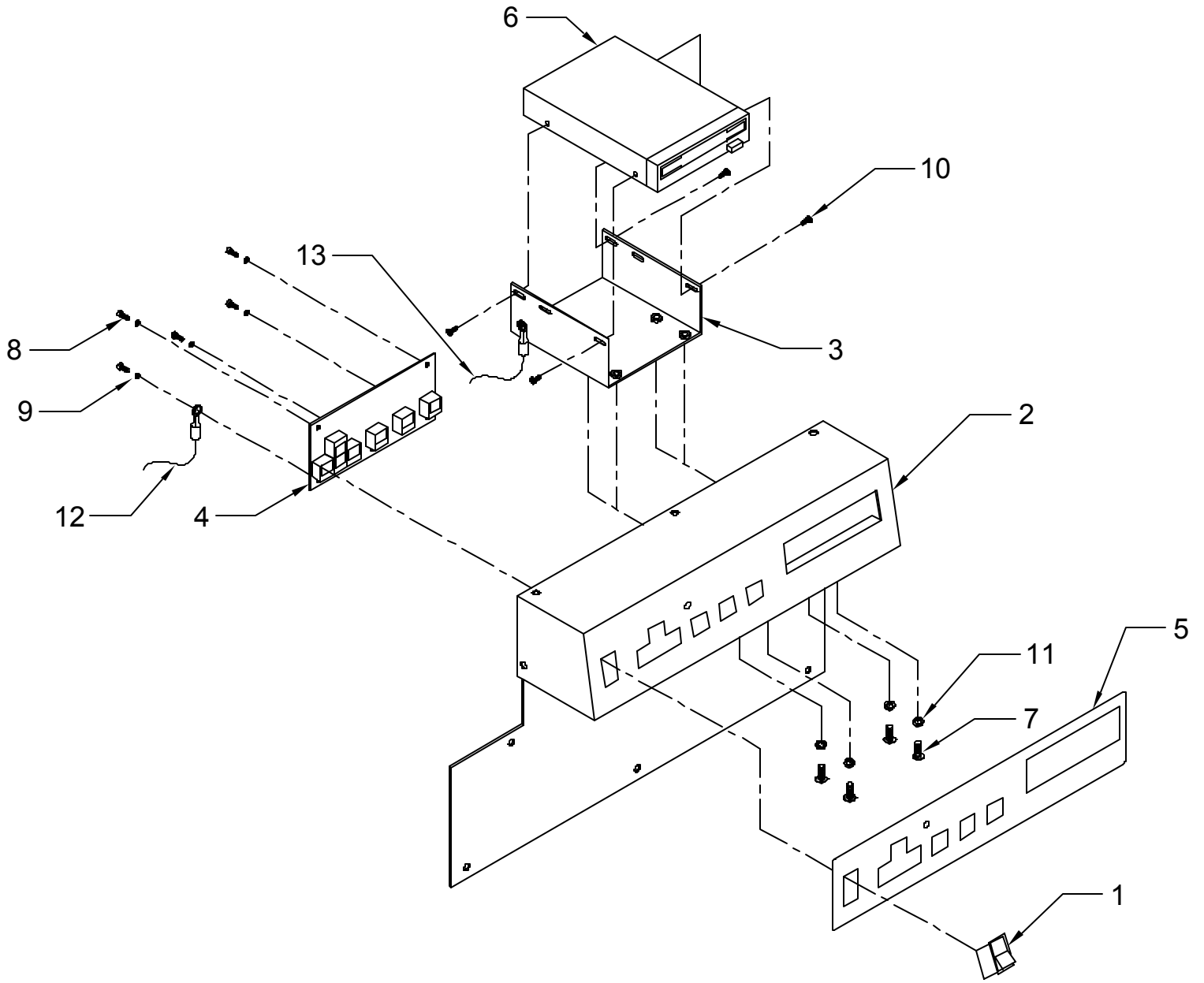
TENSION RELEASE SOLENOID

ITEM	PART NO	DESCRIPTION	QTY
1	P312011	SPRING NUT FOR T.R. SOLENOID	2
2	P312025	SOLENOID SPRING	1
3	P700312	XLC TENSION RELEASE SOLENOID	1



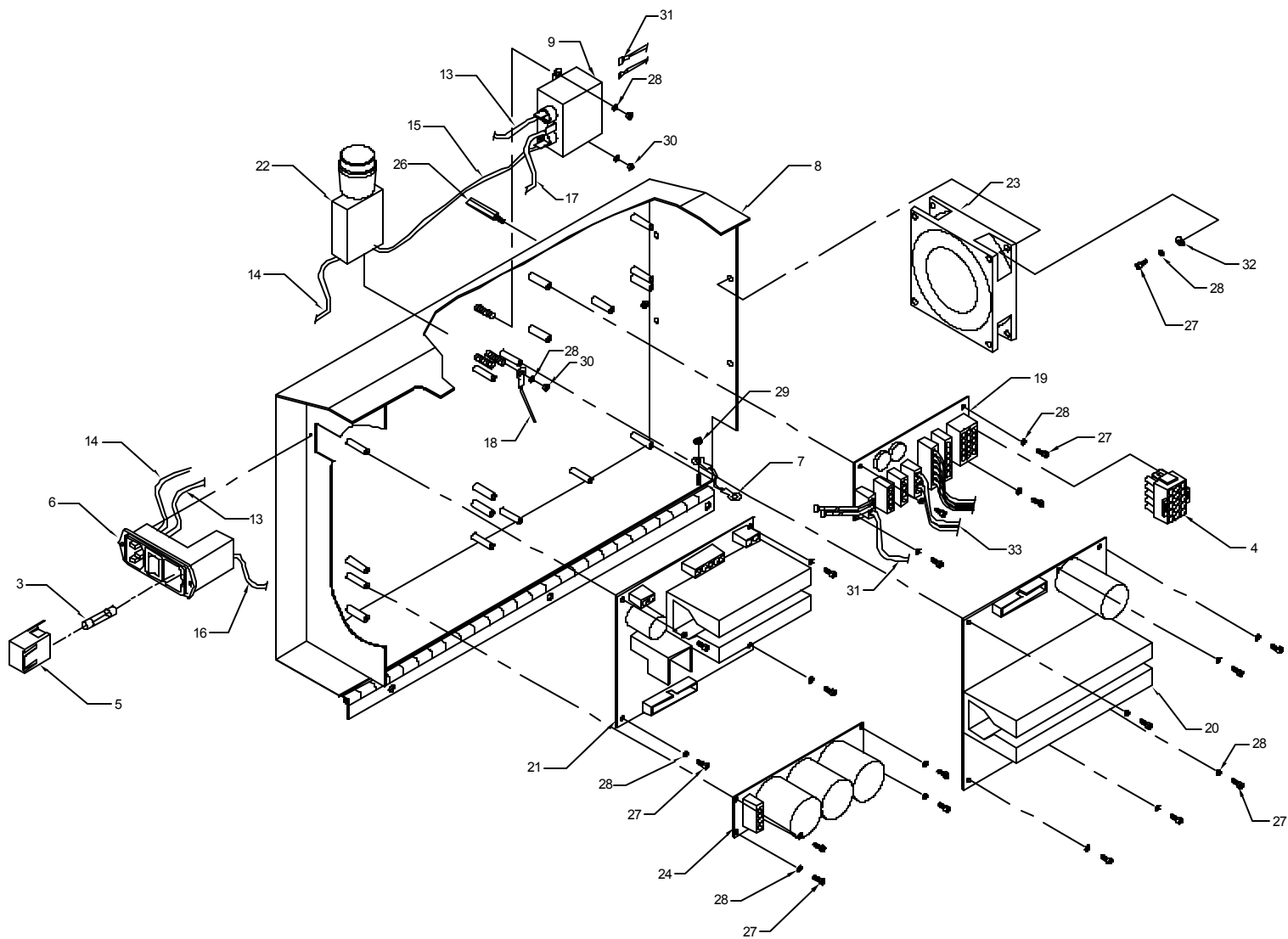
DOOR ASSEMBLY

ITEM	PART NO	DESCRIPTION	QTY
1	P710015	COVER, HEAD LAMP B2000 TRIMMER	1
2	P710623	PCB, LED LAMP TRIMMER	1
3	P700221	HINGE, SEW HEAD COVER	1
4	P840413	#6-32 X 3/8 PHIL PAN HD SCREW	2
5	P840494	8-18X3/4 PHIL P.H.TRD.CUT SCR,T-25	2
6	P840496	8-32X3/8 PHIL.F.H.UCT TYPE 25	1
7	P840510	#6 FLAT WASHER	2
8	P710909	DECAL, HEAD COVER B2000	1



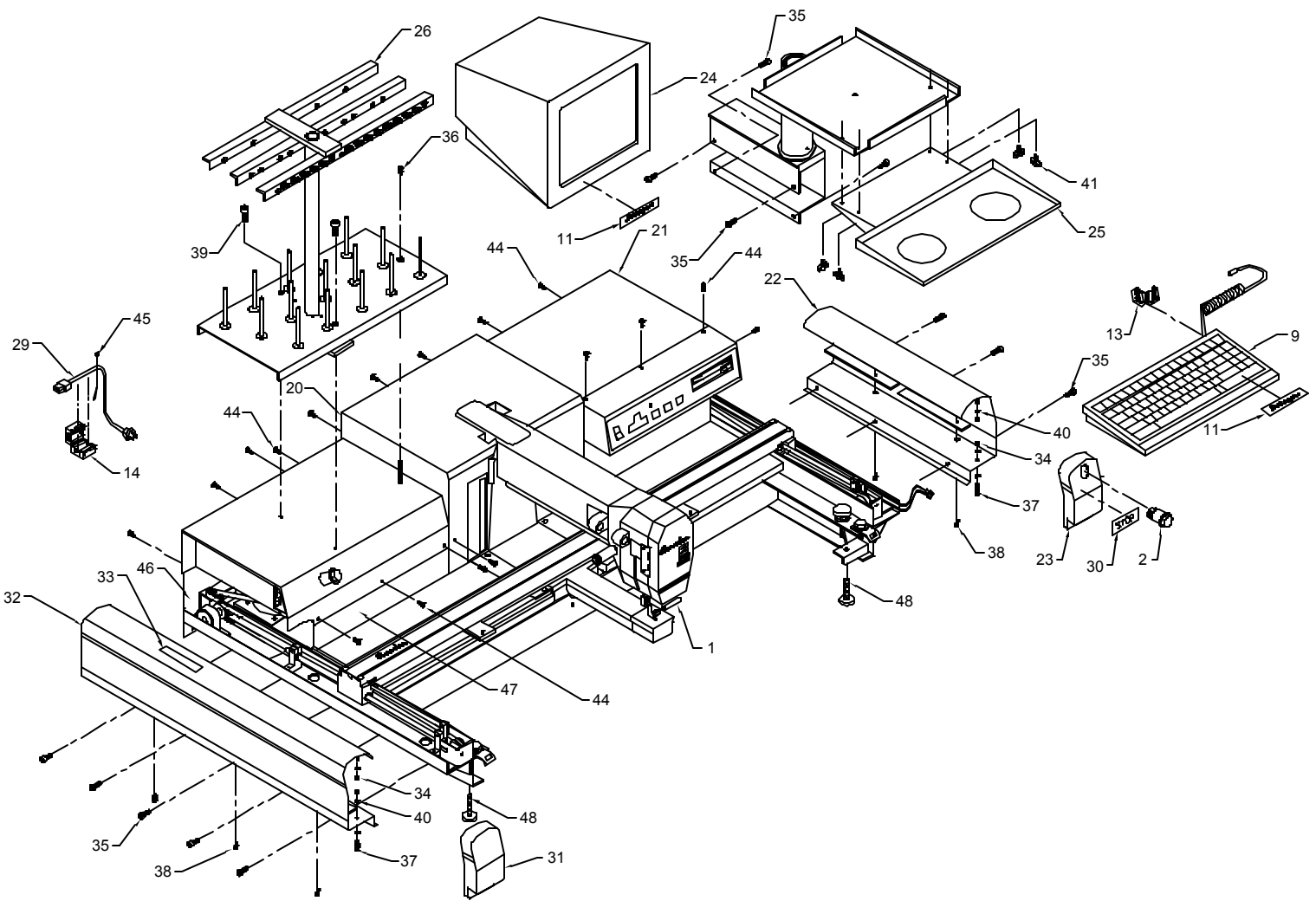
CONSOLE ASSEMBLY

ITEM	PART NO	DESCRIPTION	QTY
1	P700301	SWITCH, SAFETY	1
2	P710004	COVER, CPU CONSOLE	1
3	P710109	BRACKET, FLOPPY DRIVE	1
4	P710615	PCB, SWITCH, DC	1
5	P710908	DECAL, TRIM SWITCH CONSOLE	1
6	P722154	DISK DRIVE, 3.5", 1.44 MEG	1
7	BN19M5X10	SCREW, M5 X 0.8 X 10.00 mm LG. SOCKET BUTTON HEAD CAP	4
8	BN3M3X8	SCREW, M3 X 0.5 X 8.00 mm LG. SOCKET HEAD CAP	5
9	BN790M3	WASHER, M3 INTERNAL TOOTH LOCK	5
10	P840005	SCREW, M3 X 0.5 X 6mm LG. CROSS RECESSED TRUSS HEAD	4
11	BN760M5	WASHER, M5 HELICAL SPRING LOCK	7
12	P710382	CABLE, GROUND, SWITCH PANEL, FLOPPY	1
13	P710386	CABLE, GROUND, FLOPPY	1



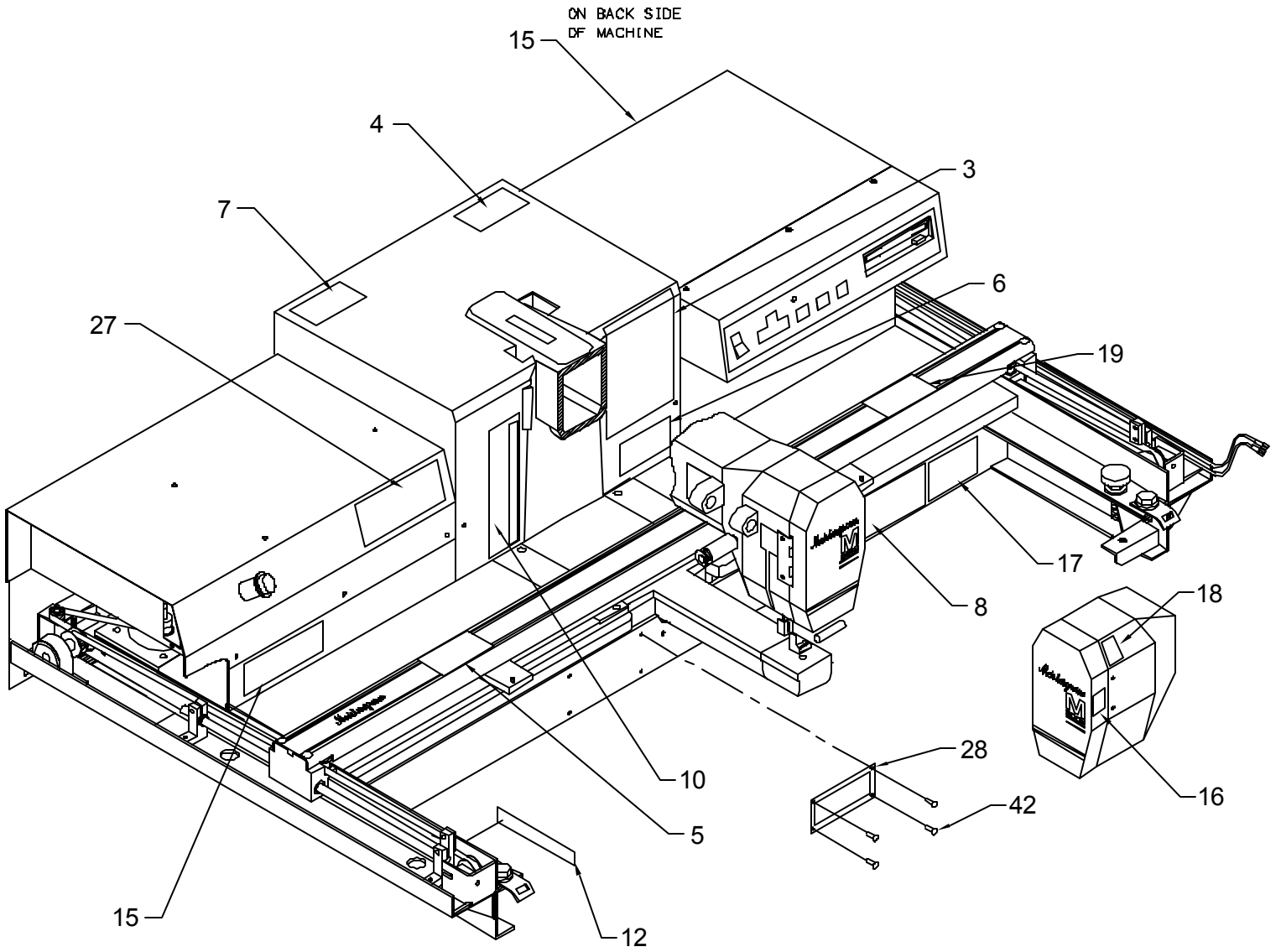
LEFT COVER ASSEMBLY

ITEM	PART NO	DESCRIPTION	QTY
1	P312027	5" CABLE TIE	2
2	P312028	3" CABLE TIES	12
3	P530834	FUSE, MAIN 5 AMP (BUSS GMC-5A)	1
4	P680722	JUMPER BLOCK, 110V, PWR JUNC BD	1
5	P700018	FUSE DRAWER,USED W/POWER ENTRY MODULE	1
6	P700019	POWER ENTRY MODULE	1
7	P701357	CABLE, RF GROUND, DISTRIBUTION	1
8	P710007	COVER, LEFT PCB MOUNT	1
9	P710301	FILTER, M2000	1
10	P710342	HARNESS, MOTOR SWITCH/CAP PCB	1
11	P710348	CABLE, CPU TO MOTOR SIGNAL	1
12	P710349	HARNESS, FILTER TO DIST., GROUND	1
13	P710350	CABLE, LINE POWER TO FILTER	1
14	P710351	CABLE, LINE POWER TO SWITCH	1
15	P710352	CABLE, SWITCH TO FILTER	1
16	P710380	CABLE, GROUND, POWER M2000	1
17	P710384	CABLE, GROUND, FILTER	1
18	P710399	TETHER, LEFT COVER, M2000	1
19	P710617	PCB, POWER DISTRIBUTION	1
20	P710619	STEPPER DRIVE BOARD	1
21	P710620	SERVO DRIVE BOARD	1
22	P722310	SWITCH, MAINTAINED CIRCUIT	1
23	P710304	FAN, M2000 12 VOLT	1
24	P722662	PCB, CAPACITOR	1
25	P820069	3/4" SQUARE ADHESIVE CABLE TIE	1
26	BN3318M4X45	STAND OFF, M4 X 45 mm LONG M/F	1
27	BN3M3X8	SCREW, M3 X 0.5 X 8.00 mm LG. SOCKET HEAD CAP	22
28	BN790M3	WASHER, M3 INTERNAL TOOTH LOCK	22
29	BN109M5	NUT, M5 X 0.8 HEXAGONAL	1
30	BN109M3	NUT, M3 X 0.5 HEXAGONAL	2
31	P710359	CABLE, CPU TO MOTOR SIGNAL	1
32	BN715M3	WASHER, M3 FLAT	4
33	P710344	CABLE, POWER SUPPLY	1



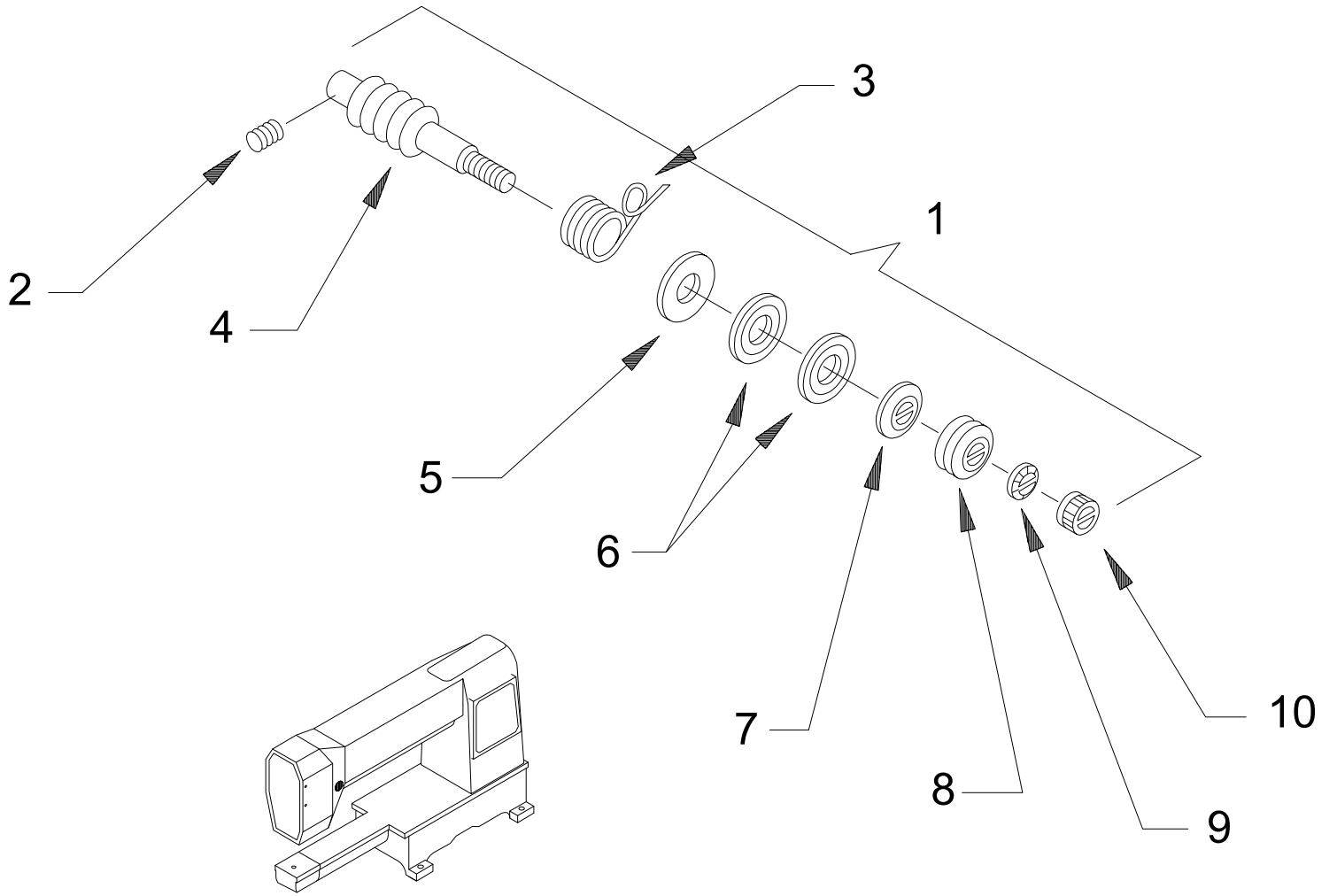
B2000 MACHINE ASSEMBLY 1

ITEM	PART NO	DESCRIPTION	QTY
1	9P820425	3/8" CLEAR SHRINK TUBING	1
2	A400007	SWITCH, STOP	1
9	P670020	KEYBOARD M800/XLM	1
11	P710907	DECAL, TRIMMER KEYBOARD/MONITOR	2
13	P701301	FERRITE BEAD, KEYBOARD	1
14	P701302	FERRITE BEAD, POWER COARD	1
20	P710012	COVER, CENTER TRIM	1
21	P710005	COVER, RIGHT TOP	1
22	P710008	COVER, RIGHT EXTRUSION, M2000	1
23	P710014	COVER, EXTRUSION END W/HOLE	1
24	P710020	MONITOR, MONOCHROME SVGA	1
25	P710105	BRACKET, KEYBOARD M2000	1
26	P710701	THREAD, BASE ASS'Y M2000	1
29	P720375	CORD, POWER BEAT IV	1
30	P722905	DECAL, EXTRUSION COVER, STOP	1
31	P730008	COVER, LEFT EXTRUSION, BENT	1
32	P732013	COVER, LEFT EXTRUSION, TANTO	1
33	P896027	FUSE REPLACEMENT LABEL - 900XLC	1
34	BN109M4	NUT, M4 X 0.7 HEXAGONAL	4
35	BN272M6X16	SCREW, M6 X 1.0 X 16.00 mm LG. HEX SOCKET HEAD CAP	12
36	BN3333M4X10	SCREW, M4 X 0.7 X 10.00 mm LG. CROSS RECESSED F H	1
37	BN3M4X16	SCREW, M4 X 0.7 X 16.00 mm LG. HEX SOCKET HEAD CAP	2
38	BN3M4X8	SCREW, M4 X 0.7 X 8.00 mm LG. SOCKET HEAD CAP	5
39	BN3M6X12	SCREW, M6 X 1.0 X 12.00 mm LG. HEX SOCKET HEAD CAP	2
40	BN789M4	WASHER, M4 EXTERNAL TOOTH LOCK	6
41	P840438	#10-32 X 3/8 THUMB SCREW	4
44	BN19M5X10	SCREW, M5 X 0.8 X 10.00 mm LG. SOCKET BUTTON HEAD CAP	18
45	P312027	5" CABLE TIE	1
46	P710002	COVER, BACK	1
47	P710006	COVER, LEFT FRONT	1
48	P730802	LEVELING FOOT, MACHINE, METRIC (MF140050)	6



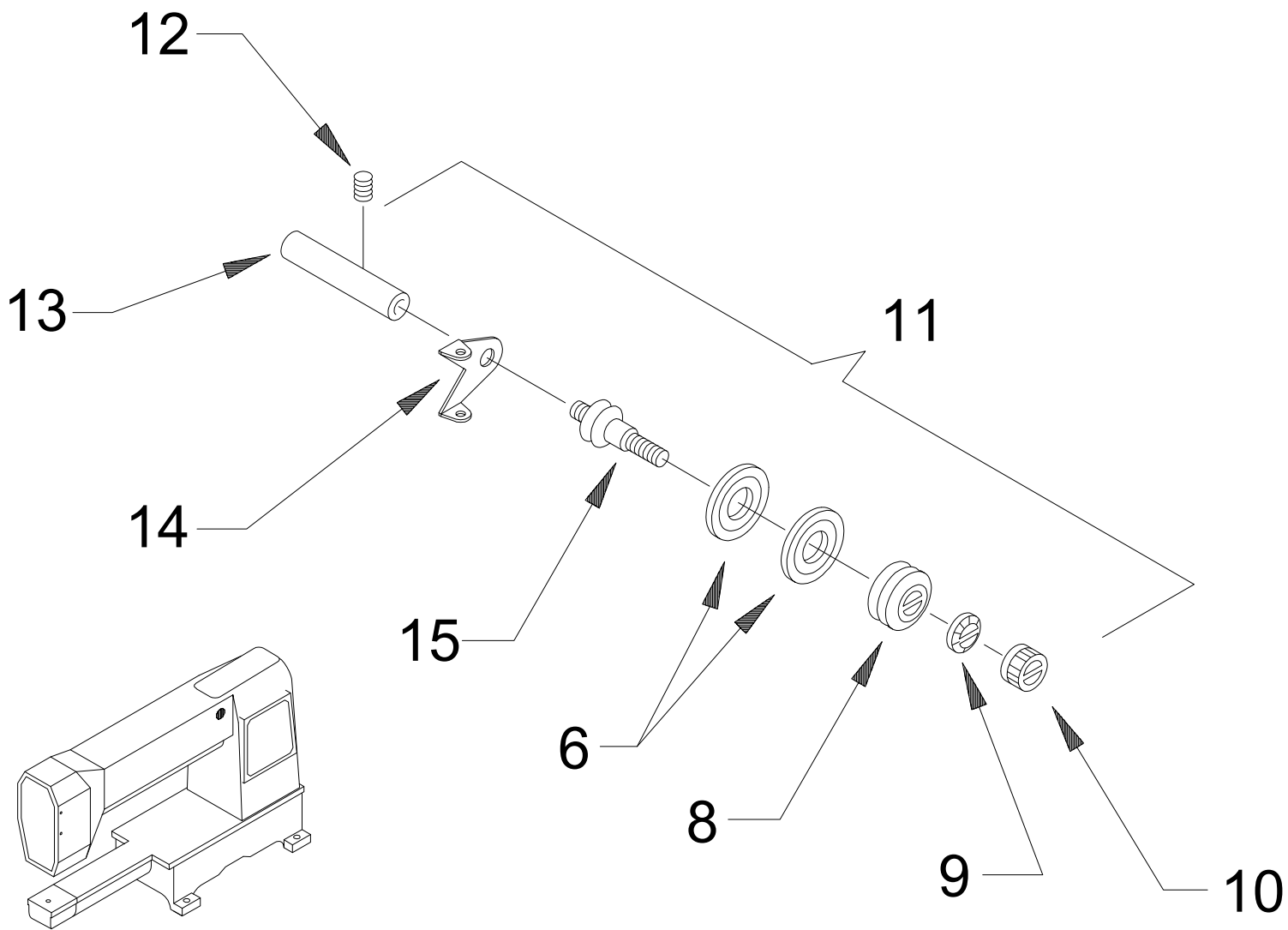
B2000 MACHINE ASSEMBLY 2

ITEM	PART NO	DESCRIPTION	QTY
3	HV790150	CAUTION LABEL INSTRUCTION	1
4	HV790160	CAUTION LABEL HAIR	1
5	HV790180	CAUTION LABEL NEEDLE	1
6	HV790190	CAUTION LABEL FRAME	1
7	HV790200	CAUTION LABEL BELT	1
8	HV790210	CAUTION LABEL SEWING HOOK	1
10	P710905	DECAL, STATUS, CENTER COVER	1
12	P700908	DECAL, PATENT INFO	1
15	P701913	DECAL, HIGH VOLTAGE	2
16	P701915	DECAL, FINGER PINCH	1
17	P701918	DECAL, FCC, PART 15	1
18	P701919	DECAL, FINGER PINCH, TAKE-UP	1
19	P701920	DECAL, PANTO SAFETY	1
27	P710903	DECAL, LEFT COVER	1
28	P710926	PLATE, SERIAL NO. M2000T	1
42	P840630	POP RIVET 1/8 X 1/2	4



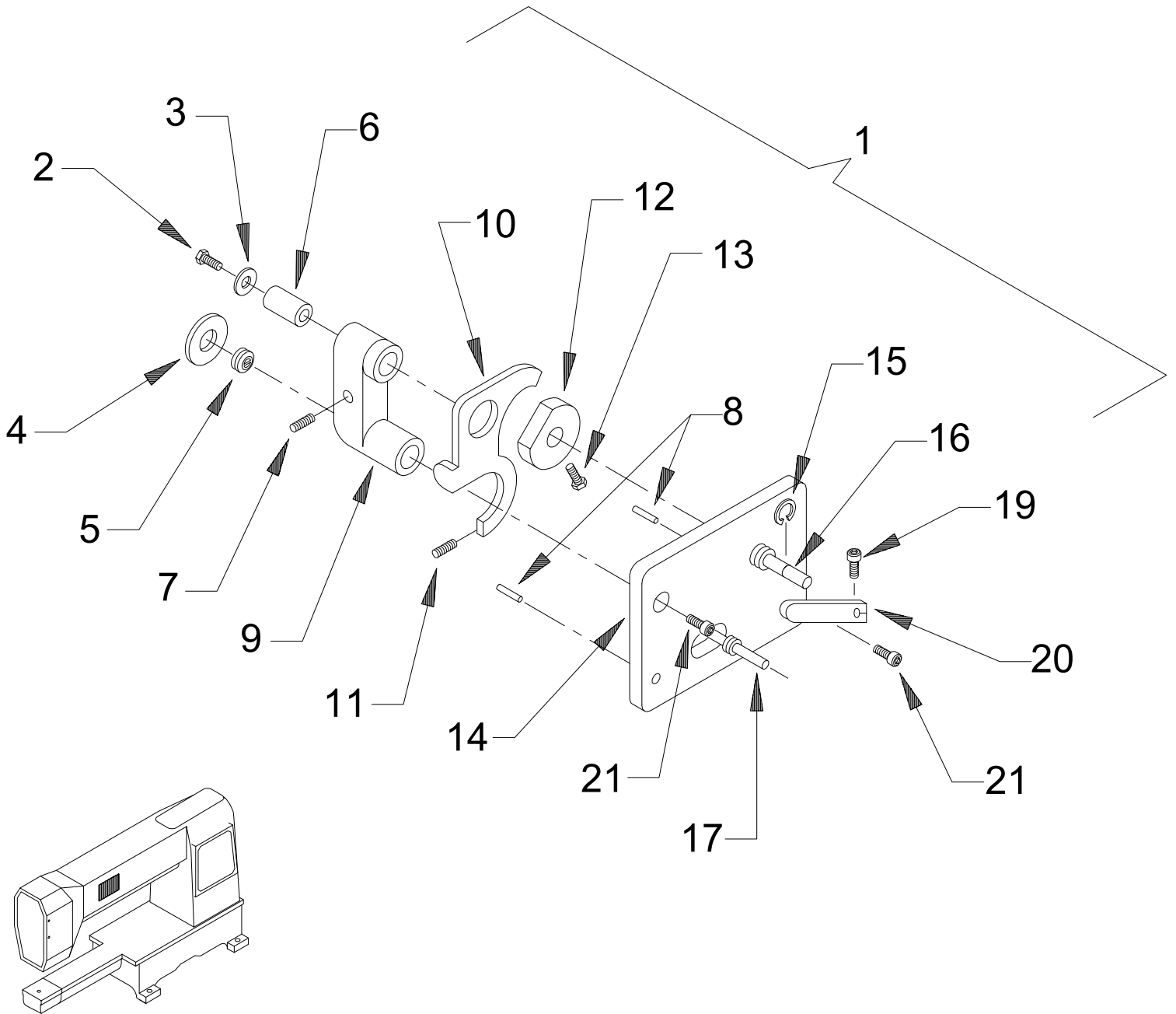
TENSION ASSEMBLY

ITEM	PART NO.	DESCRIPTION	QTY
1	P661052	TENSION ASSEMBLY COMPLETE	1
2	P661061	M4 X 8 X 0.7 SOCKET SETSCREW	1
3	P661054	CHECK SPRING (TAKE-UP SPRING)	1
4	P661053	TENSION STUD	1
5	P661055	INSULATING DISC	1
6	P661034	TENSION DISC	2
7	P661057	TENSION RELEASE DISC	1
8	P661035	TENSION SPRING	1
9	P661036	TENSION NUT WASHER	1
10	P661037	TENSION NUT	1



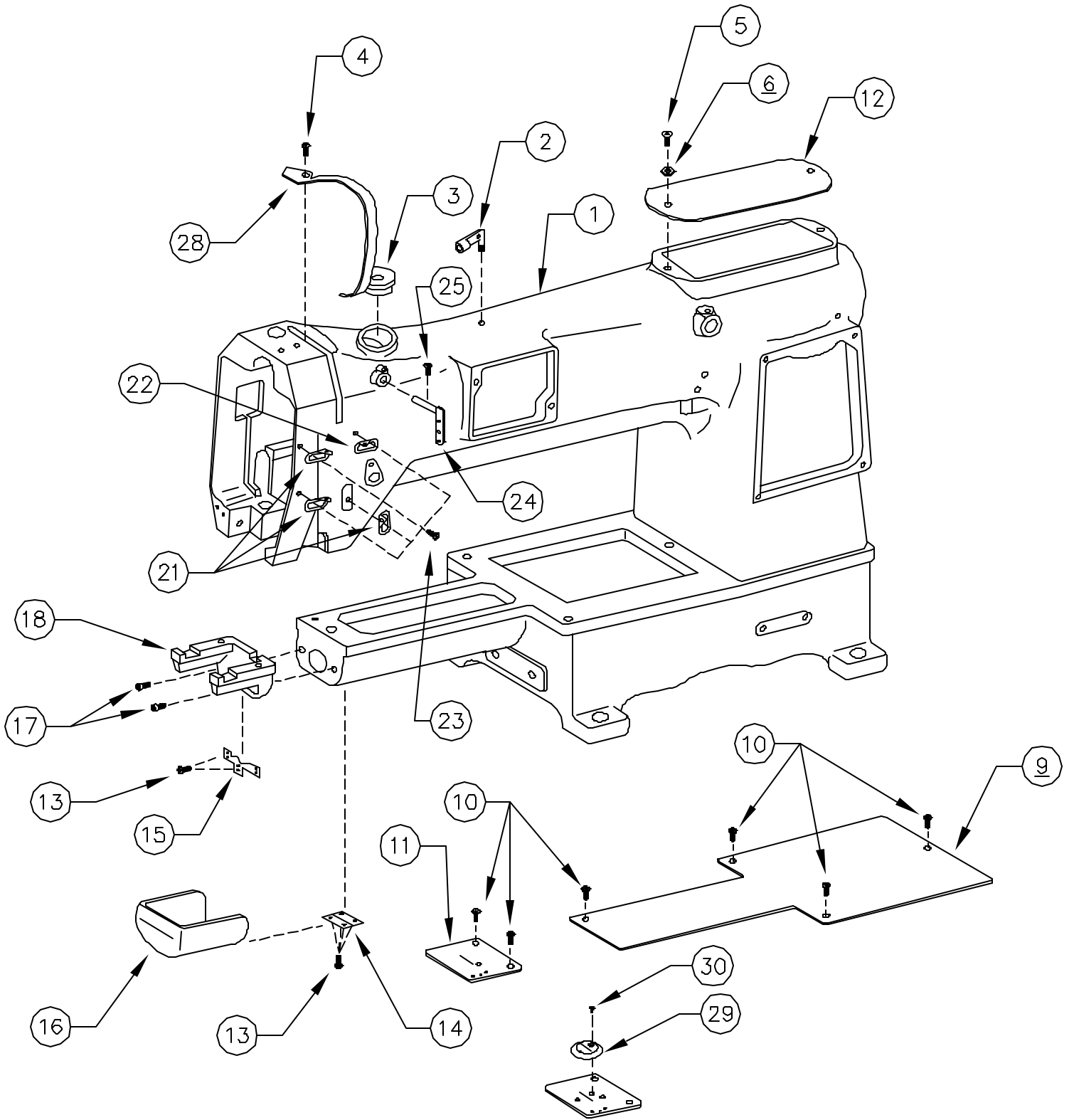
BOBBIN WINDER TENSION ASSEMBLY

ITEM	PART NO.	DESCRIPTION	QTY
6	P661034	TENSION DISC	2
8	P661035	TENSION SPRING	1
9	P661036	TENSION NUT WASHER	1
10	P661037	TENSION NUT	1
11	P661030	COMPLETE WINDER TENSION ASSEMBLY	1
12	P661038	M6 X 6 X 0.8 SOCKET SETSCREW	1
13	P661031	TENSION POST	1
14	P661032	WINDER THREAD GUIDE	1
15	P661033	WINDER TENSION STUD	1



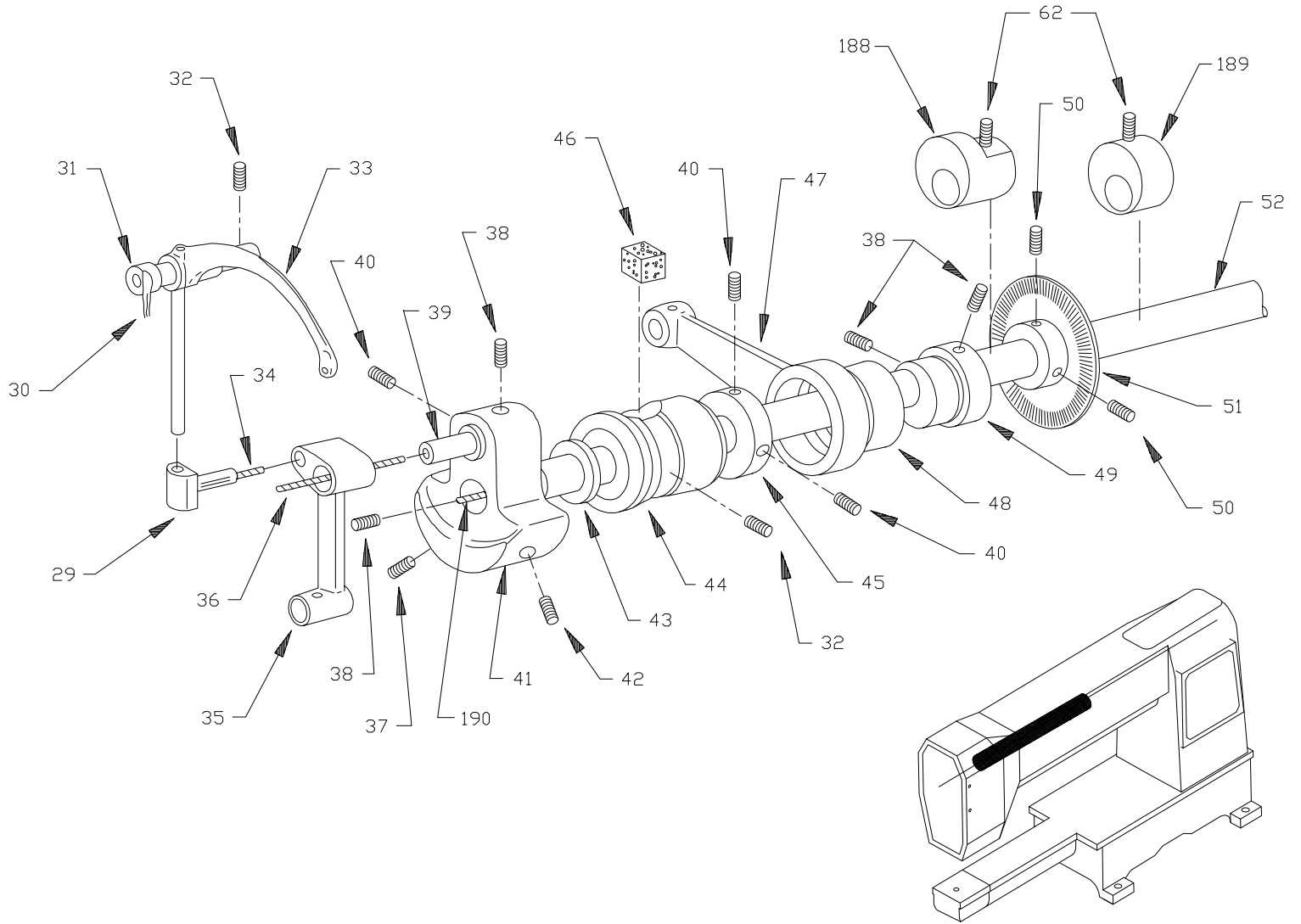
BOBBIN WINDER ASSEMBLY

ITEM	PART NO.	DESCRIPTION	QTY
1	P661009	XLC BOBBIN WINDER	1
2	P661023	M4 X 20 X 0.7 SOCKET CAP SCREW	1
3	P661025	M4 FLAT WASHER	1
4	P661028	O-RING 15 ID X 25 OD	1
5	P661017	WINDER WHEEL	1
6	P661012	PIVOT LINK BUSHING	1
7	P661013	BOBBIN WINDER SPRING	1
8	P661026	ROLL PIN 3.5 DIA. X 16	2
9	P661011	BOBBIN WINDER PIVOT LINK	1
10	P661014	WINDER TRIP LEVER	1
11	P661015	WINDER TRIP SPRING	1
12	P661021	WINDER TRIP LEVER CAM	1
13	P661022	WINDER CAM STOP SCREW	1
14	P661010	BOBBIN WINDER MOUNTING PLATE	1
15	P661027	C-CLIP	1
16	P661020	WINDER TRIP ARM SHAFT	1
17	P661016	BOBBIN WINDER SHAFT	1
19	P661024	M4 X 12 X 0.7 SOCKET CAP SCREW	1
20	P661019	WINDER TRIP ARM	1
21	P661029	M4 X 10 X 0.7 SOCKET CAP SCREW	2



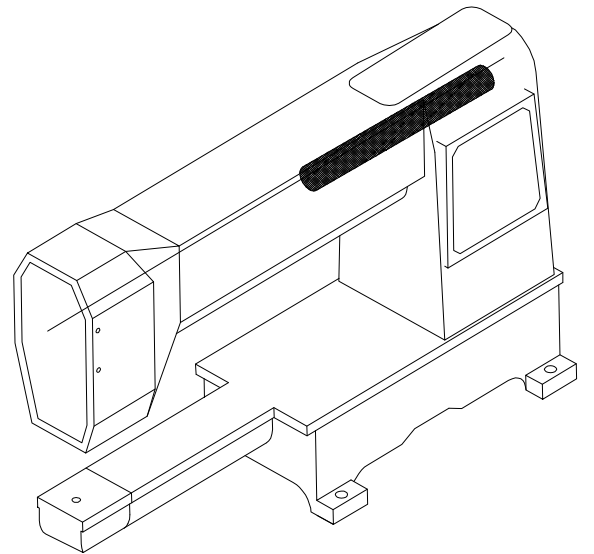
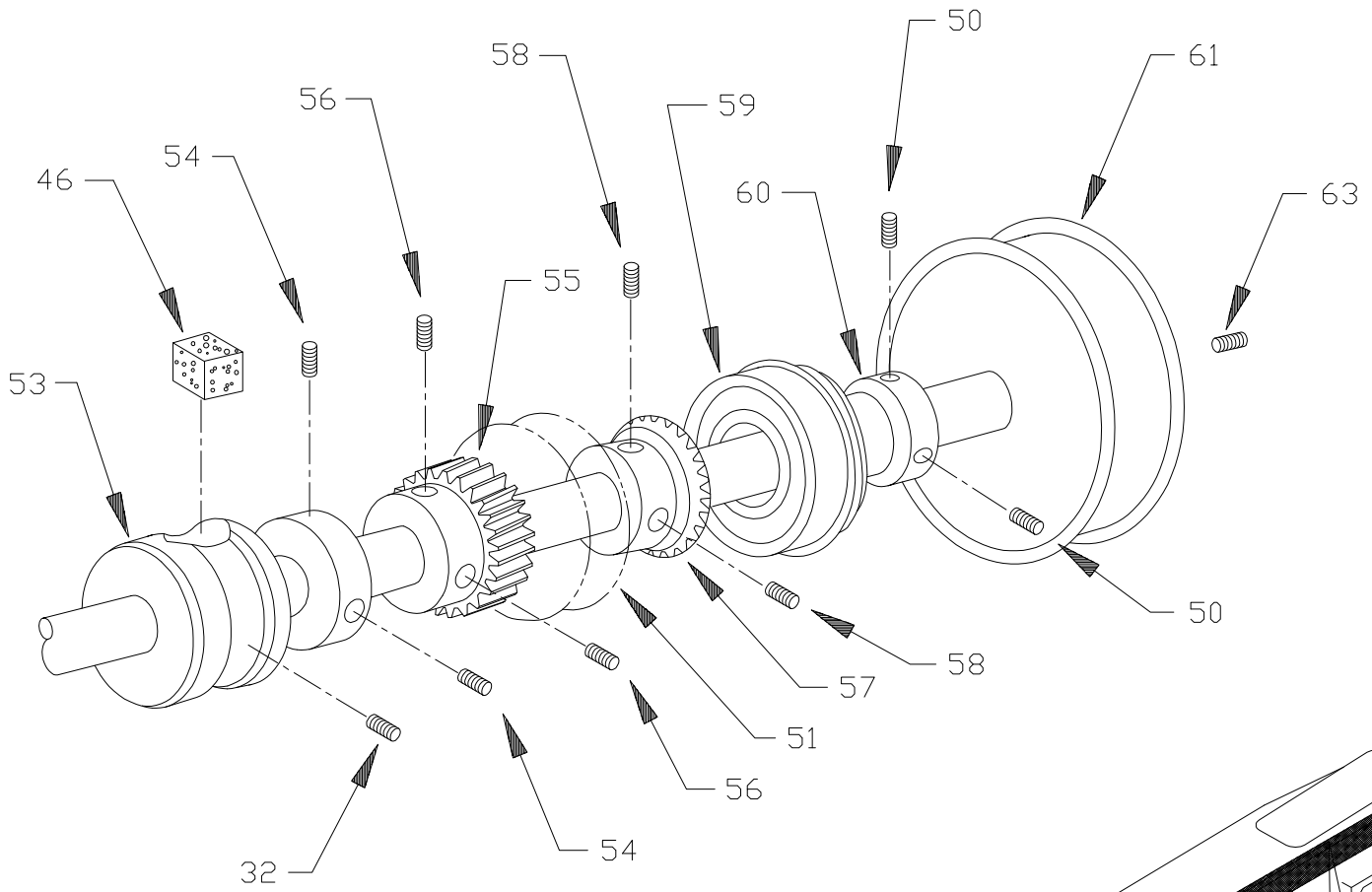
SEWING HEAD PARTS - VIEW 1

ITEM	PART NO.	DESCRIPTION	QTY
1	P661002	CYLINDER ARM HEAD, TRIMMER	1
2	P661280	THREAD GUIDE (#902190)	1
3	P661074	OIL PLUG	1
4	P661073	M4 X 6 X 0.7 PHILLIPS TRUSS HEAD SCREW	1
5	P661076	TOP COVER PLATE SCREW	1
6	P661077	WAVEY WASHER 6.4 ID X 11 OD	1
9	P661082	WORK PLATE	1
10	KX250080	NEEDLE PLATE SET SCREW (HEX. SOCKET)	6
11	P661301	MARK 5 NEEDLE PLATE #812121	1
12	P661075	TOP COVER PLATE	1
13	P661086	M3 X 5 X 0.5 PHILLIPS PAN HEAD SCREW	6
14	P661085	HOOK COVER HINGE	1
15	P661087	HOOK COVER HATCH	1
16	KC250471	HOOK COVER	1
17	P661008	M5 X 14 X 0.8 SOCKET CAP SCREW	2
18	P661303*	NEEDLE PLATE BRACKET	1
19	P661298	SPRING LOADED THREAD GUIDE #26097	1
20	P661069	9/64-40 X 6 SLOT FLAT HEAD SCREW	1
21	P661043	FRONT THREAD GUIDE	2
22	P661044	REAR THREAD GUIDE	1
23	P661045	9/64-40 X 8 SLOT PAN HEAD SCREW	4
24	P661040	3-HOLE THREAD GUIDE	1
25	P661041	M4 X 4 X 0.7 SOCKET SETSCREW	1
28	P661072	TAKE-UP LEVER GUARD	1
29	P661083	ROUND RAISED THROAT PLATE ATTACH #2609	1
30	KX270010	FIXED KNIFE SET SCREW, MK-5	1
*This part has changed; you will need to order 2 pieces to replace it. The new part numbers are P661258 Hook Supporting Plate (Position Finger) and P661050 Setscrew for Hook Supporting Plate.			



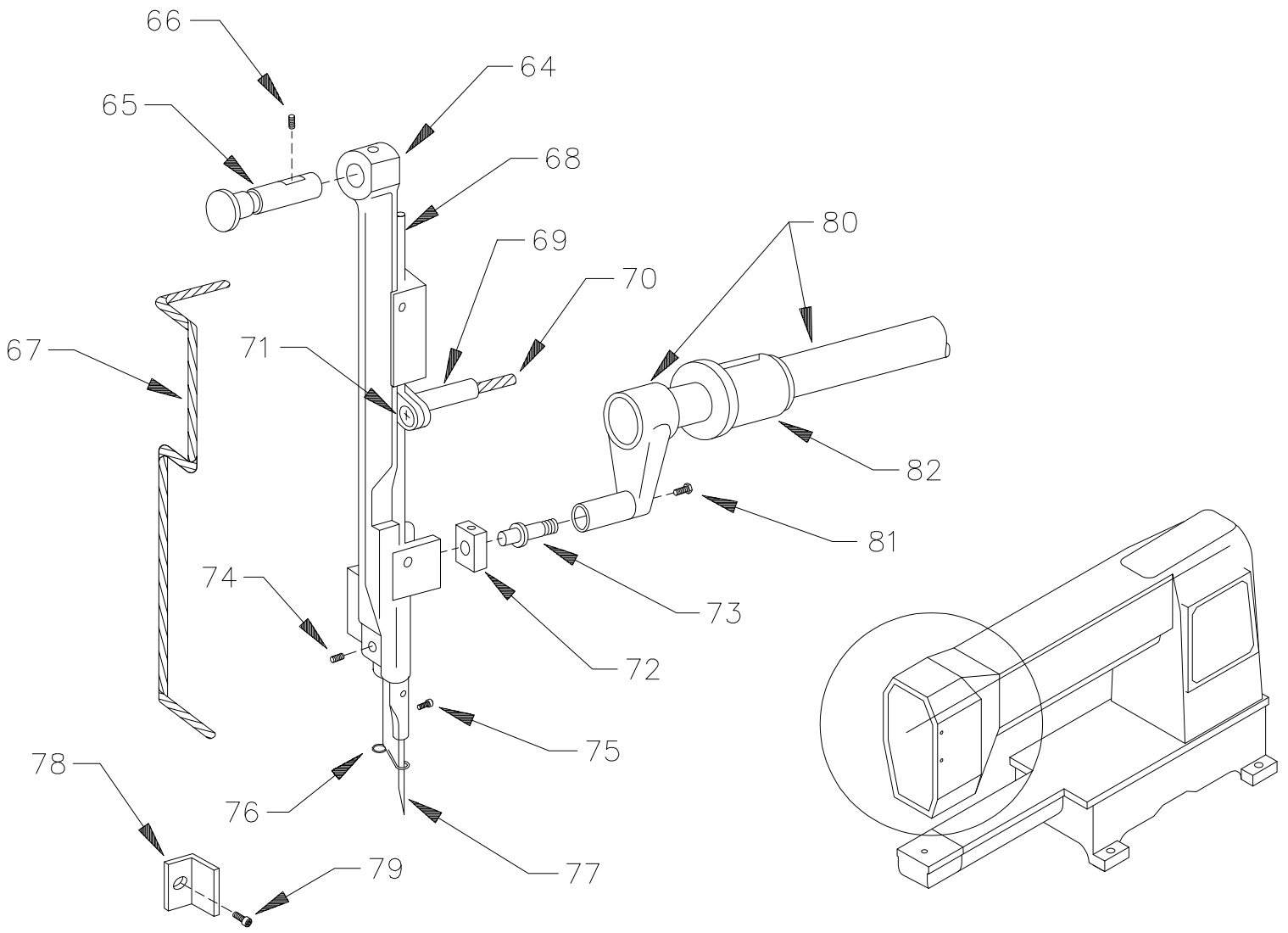
SEWING HEAD PARTS - VIEW 2A

ITEM	PART NO.	DESCRIPTION	QTY
29	P413559	TAKE-UP LEVER DRIVER STUD	1
30	P661095	3.5 DIAMETER X 45 LONG OIL WICK	1
31	P413555	TAKE-UP LEVER HINGE STUD	1
32	P661094	M6 X 10 X 1.0 SOCKET SETSCREW	3
33	P413650	TAKE-UP LEVER	1
34	P661097	3.5 DIAMETER X 25 LONG OIL WICK	1
35	P413274	NEEDLE BAR CONNECTING LINK	1
36	P661099	3.5 DIAMETER X 55 LONG OIL WICK	1
37	P661104	9/32-28 X 11 SCREW	1
38	P661102	15/64-28 X 4.5 SLOT SETSCREW	4
39	P413269	NEEDLE BAR CONNECTING LINK STUD	1
40	P661101	15/64-28 X 7 SLOT SETSCREW	3
41	P661103	NEEDLE BAR CRANK	1
42	P661105	15/64-28 X 13 SLOT SETSCREW	1
43	P661106	CRANK FRICTION WASHER	1
44	P661276	ARM SHAFT BUSHING, FRONT (#904021)	1
45	P661113	FRONT COLLAR	1
46	P661300	OIL PAD	2
47	P661277	PRESSURE LIFTING CRANK ROD (#903102)	1
48	P661278	NEEDLE BEARING	1
49	P661279	VIBRATING ECCENTRIC CAM (#903101)	1
50	P661038	M6 X 6 X 0.8 SOCKET SETSCREW	4
51	P661119	WINDER FRICTION DISC	1
52	P661107	ARM SHAFT	2
62	P661134	M6 X 12 X 1.0 SOCKET SETSCREW	6
188	P661268	BALANCE WEIGHT I	1
189	P661267	BALANCE WEIGHT II	1
190	P661108	OIL WICK	1



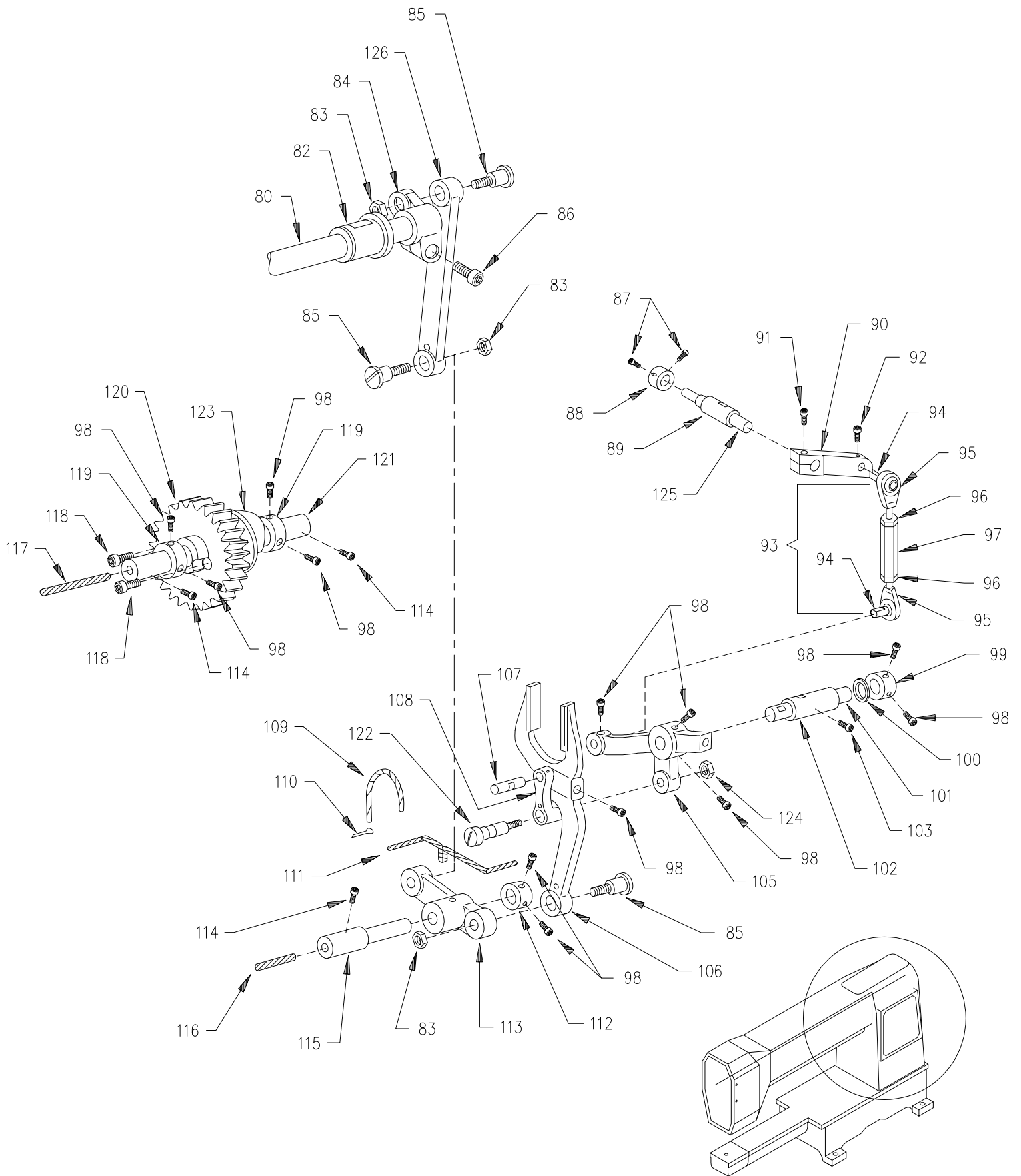
SEWING HEAD PARTS - VIEW 2B

ITEM	PART NO.	DESCRIPTION	QTY
32	P661094	M6 X 10 X 1.0 SOCKET SETSCREW	3
46	P661112	OIL PAD	2
50	P661038	M6 X 6 X 0.8 SOCKET SETSCREW	4
51	ZP701120	NPS SENDER ASSEMBLY	1
53	P413602	MIDDLE ARM SHAFT BUSHING	1
54	P661125	M6 X 8 X 1.0 SOCKET SETSCREW	2
55	P413751	FEED COLLAR	1
56	P413609	1/4-40 X 6 SLOT SETSCREW	2
57	P661128	SPIRAL ARM SHAFT GEAR	1
58	P413609	1/4-40 X 6 SLOT SETSCREW	2
59	P661130	REAR ARM SHAFT BEARING	1
60	P661131	ARM SHAFT BEARING COLLAR	1
61	P710410	PULLEY, MOTOR	1
63	P661135	5/16-24X15 BALANCE WHEEL ADJUSTING SCREW	1



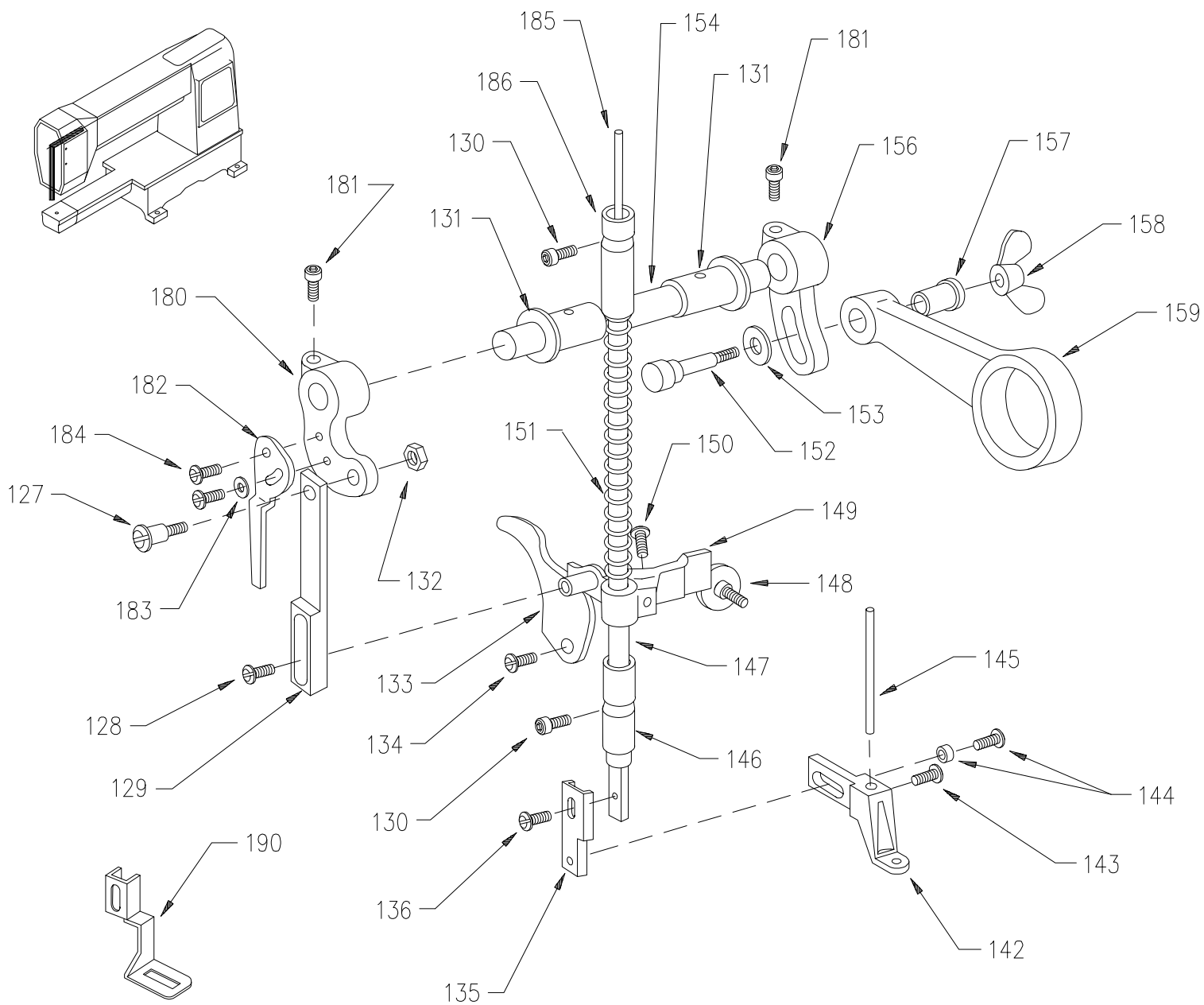
SEWING HEAD PARTS - VIEW 3A

ITEM	PART NO.	DESCRIPTION	QTY
64	P642510	NEEDLE BAR FRAME	1
65	P413527	HINGE PIN	1
66	P661094	M6 X 10 X 1.0 SOCKET SETSCREW	1
67	P661139	3.5 DIAMETER X 270 LONG OIL WICK	1
68	P661144	NEEDLE BAR	1
69	P413278	NEEDLE BAR CONNECTING STUD - COMES W/ P413279	1
70	P661147	3.5 DIAMETER X 35 LONG OIL WICK	1
71	P413279	SCREW	1
72	P413330	NEEDLE BAR FRAME SLIDE BLOCK	1
73	P413328	NEEDLE BAR FRAME BLOCK STUD	1
74	P661041	M4 X 4 X 0.7 SOCKET SETSCREW	1
75	P413535	NEEDLE SCREW	1
76	P413860	LOWER ARM THREAD GUIDE	1
77	SEE CATALOG	NEEDLE	1
78	P413308	NEEDLE BAR FRAME POSITION BRACKET	1
79	P661141	M4 X 6 X 0.7 SOCKET CAP SCREW	1
80	P661150	NEEDLE BAR ROCK FRAME SHAFT	1
81	P413329	SETSCREW	1
82	P661154	ROCK FRAME SHAFT BUSHING	2



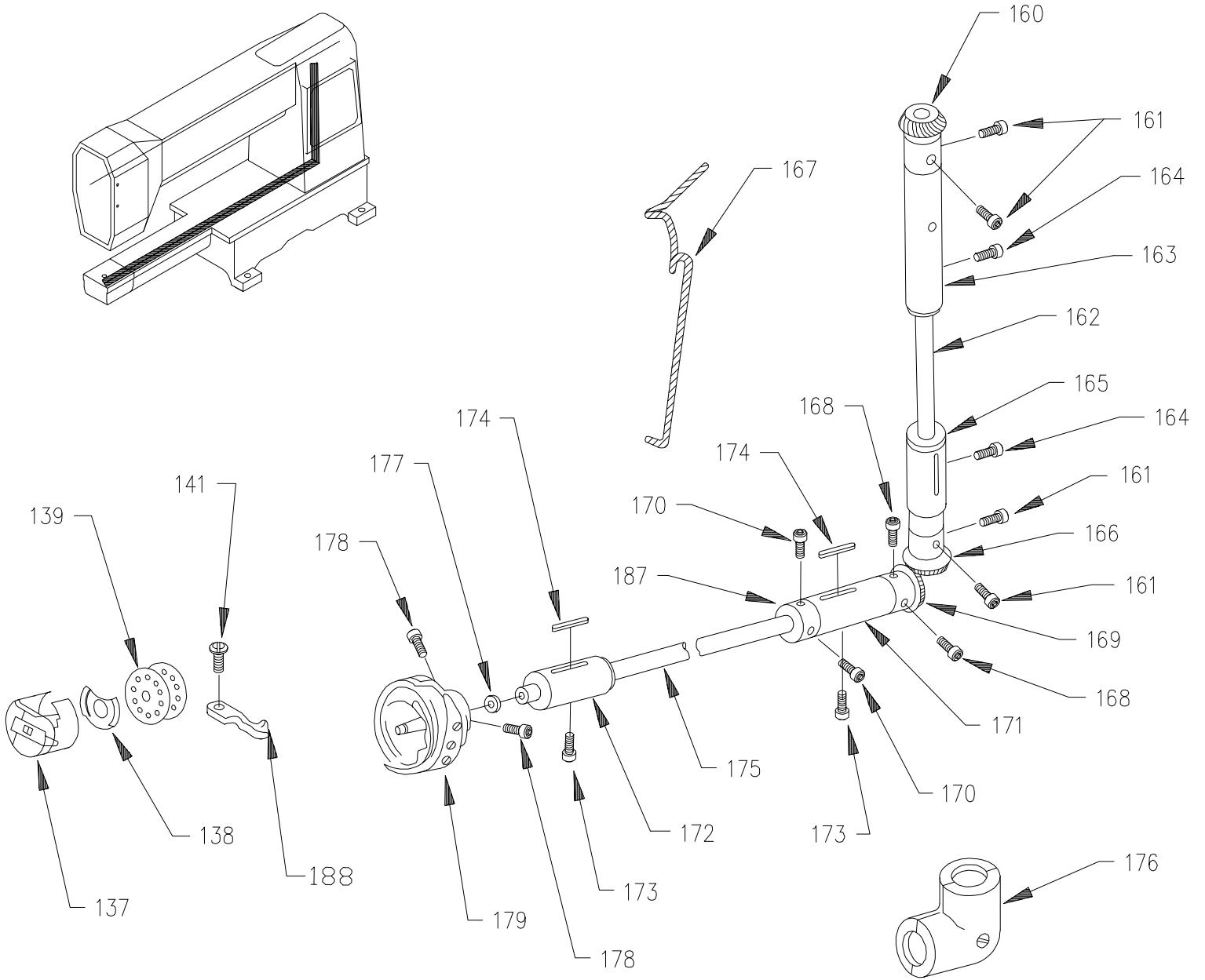
SEWING HEAD PARTS - VIEW 3B

ITEM	PART NO.	DESCRIPTION	QTY
80	P661150	NEEDLE BAR ROCK FRAME SHAFT	1
82	P661154	NEEDLE BAR ROCK FRAME SHAFT BUSHING	2
83	P413247	HINGE NUT	2
84	P661155	NEEDLE BAR SHAFT CRANK	1
85	P413660	HINGE SCREW	3
86	P661156	M6 X 20 X 1.0 SOCKET CAP SCREW	1
87	P661195	COLLAR SETSCREW	2
88	P661194	COUPLING SHAFT COLLAR	1
89	P413735	COUPLING DRIVE BUSHING	1
90	P661190	LIFTING CRANK	1
91	P661024	M4 X 12 X 0.7 SOCKET CAP SCREW	1
92	P661041	M4 X 4 X 0.7 SOCKET SETSCREW	1
93	P661184	STITCH WIDTH ROD ASSEMBLY	1
94	P413776	BEARING PIN	2
95	P413775	BEARING PIN CONNECTING BRACKET	2
96	P413206	LOCK NUT	2
97	P661185	STITCH WIDTH ARM	1
98	P661163	M4 X 5 X 0.8 SOCKET SETSCREW	12
99	P661182	COLLAR	1
100	P661181	WAVEY WASHER	1
101	P413763	SUPPORT SHAFT	1
102	P413764	SUPPORT SHAFT BUSHING	1
103	P551984	M6 X 10 X 1.0 SOCKET SETSCREW	1
105	P661175	STITCH WIDTH REGULATING ARM	1
106	P413758	STITCH WIDTH CAM FOLLOWER	1
107	P413760	SHAFT	1
108	P413759	PIVOT LOCK	1
109	P661171	3.5 DIAMETER X 75 LONG OIL WICK	1
110	P413585	COTTER PIN	1
111	P661167	3.5 DIAMETER X 200 LONG OIL WICK	1
112	P661162	THRUST COLLAR	1
113	P413782	PIVOT CONNECTING BRACKET	1
114	P661094	M6 X 10 X 1.0 SOCKET SETSCREW	3
115	P413783	PIVOT SHAFT	1
116	P661095	3.5 DIAMETER X 45 LONG OIL WICK	1
117	P661201	3.5 DIAMETER X 100 LONG OIL WICK	1
118	P661008	M5 X 14 X 0.8 SOCKET CAP SCREW	2
119	P661202	SHAFT COLLAR	2
120	P413752	STITCH WIDTH DRIVE GEAR	1
121	P413754	STITCH WIDTH CAM SHAFT	1
122	P661173	PIVOT LINK SHOULDER SCREW	1
123	P413753	STITCH WIDTH CAM	1
124	P661174	15/64-28 HEX NUT	1
125	P413779	COUPLING DRIVE SHAFT	1
126	P413784	NEEDLE BAR ROCK SHAFT CRANK CONNECTOR	1



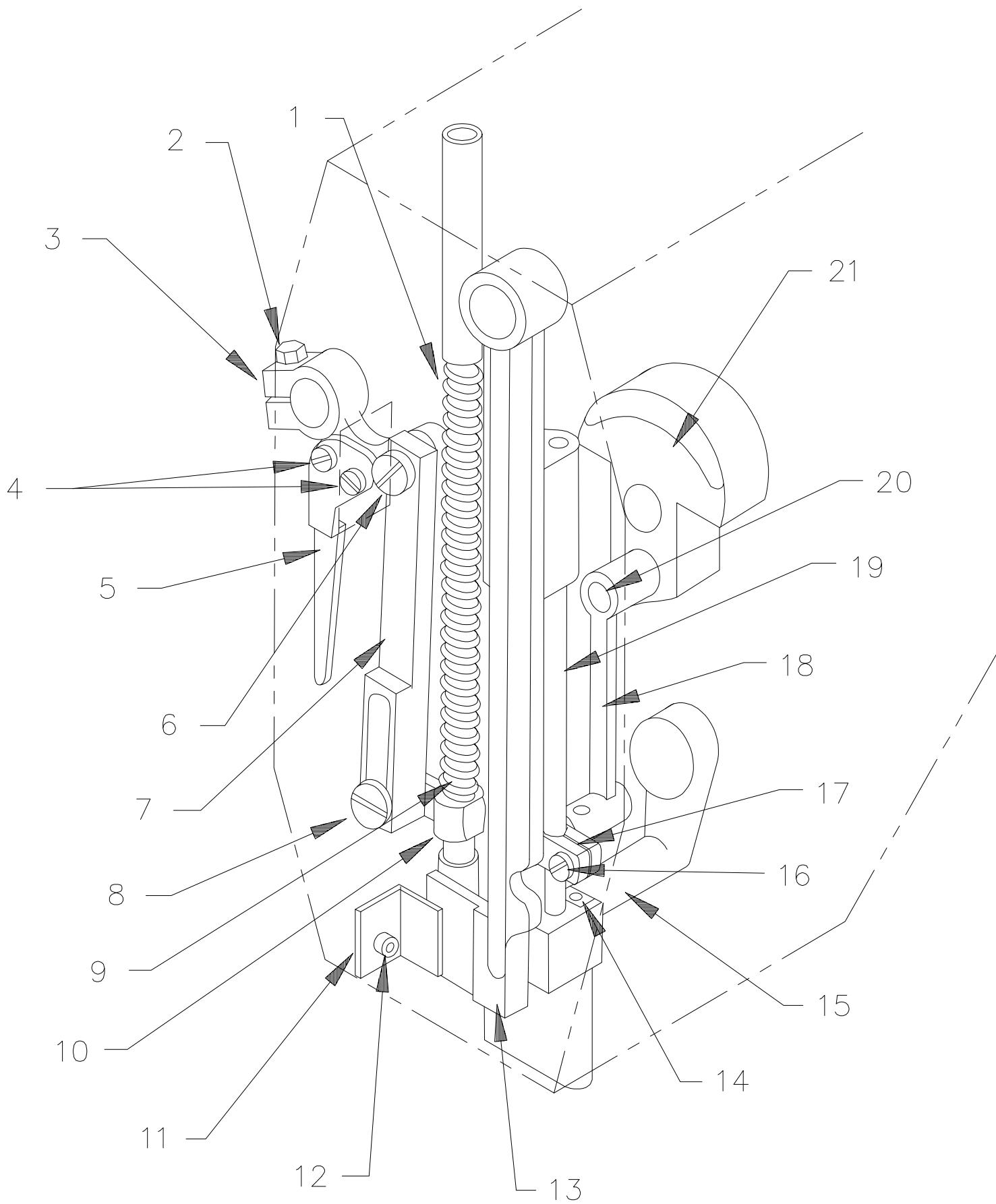
SEW HEAD PARTS - VIEW 4A

ITEM	PART NO.	DESCRIPTION	QTY
127	P413539	7/32"-32 STUD SCREW	1
128	P661237	3/16"-32 CAP SCREW	1
129	P661283	PRESSER UPPER/LOWER ROD (#903112)	1
130	P661221	M6 X 8 SETSCREW	2
131	P413260	VIBRATING ECCENTRIC CAM SHAFT BUSHING	2
132	P413249	NUT	1
133	P661222	PRESSER BAR LIFT LEVER	1
134	P661223	3/16"-32 STUD SCREW	1
135	P661231	BRACKET, PRESSER FOOT	1
136	P413847	9/64"-40 X 8 SETSCREW	1
142	P641503	PRESSER FOOT	1
143	P840045	4-40X3/16 SOCKET	1
144	P661233	9/64"-40 VIBRATING PRESSER FOOT STUD SCREW	1
145	P642501	VIBRATING PRESSED FOOT GUIDE BAR (JUMP FOOT ROD)	1
146	P661220	PRESSER BAR LOWER BUSHING	1
147	P661217	PRESSER BAR	1
148	P661226	1/4"-24 GUIDE SCREW	1
149	P661224	PRESSER BAR BRACKET	1
150	P661225	11/64"-32 SETSCREW	1
151	P661227	PRESSER BAR SPRING	1
152	P661210	M5 JOINT SCREW	1
153	P661209	DB-7L JOINT WASHER	1
154	P413788	VIBRATING ECCENTRIC CAM SHAFT	1
156	P661281	PRESSER UPPER/LOWER BACK ARM(#903111)	1
157	P413474	JOINT BUSHING	1
158	P661211	M5 JOINT NUT	1
159	P661277	PRESSURE LIFTING CRANK ROD (#903102)	1
180	P661212	VIBRATING ECCENTRIC CAM SHAFT FRONT ADJUSTMENT ARM	1
181	P661207	M6 X 15 SETSCREW	1
182	P661282	RESET LEVER (#904022)	1
183	P661216	M4 WASHER	1
184	P661045	9/64"-40 X 8 RESET LEVER SETSCREW	2
185	P661218	3.5 X L150 OIL WICK	1
186	P413284	PRESSER BAR UPPER BUSHING	1



SEW HEAD PARTS - VIEW 4B

ITEM	PART NO.	DESCRIPTION	QTY
137	P413830	BOBBIN CASE ASSEMBLY	1
138	P661275	XL OVERSPRING PROTECTOR	1
139	P413670	BOBBIN	1
141	KX270430	SCREW, HEX HEAD POSITION FINGER	1
160	P661243	ARM SHAFT UPRIGHT SPIRAL GEAR	1
161	P661244	1/4" - 40 X 5 SETSCREW	4
162	P661238	ARM SHAFT UPRIGHT	1
163	P413614	UPPER ARM SHAFT UPRIGHT BUSHING	1
164	P661038	M6 X 6 SETSCREW	2
165	P413615	LOWER ARM SHAFT UPRIGHT BUSHING	1
166	P661245	LOWER ARM SHAFT GEAR	1
167	P661108	3.5 X L160 OIL WICK	1
168	P661244	1/4" - 40 X 5 SETSCREW	2
169	P661247	LOWER SHAFT SPIRAL GEAR	1
170	P661256	1/4" - 40 X 4 SETSCREW	2
171	P661252	REAR HOOK DRIVE SHAFT BUSHING	1
172	P661251	FRONT HOOK DRIVE SHAFT BUSHING	1
173	P661096	M6 X 10 SETSCREW	2
174	P661253	HOOK DRIVE SHAFT FELT	2
175	P661250	HOOK DRIVE SHAFT	1
176	P661249	LOWER GEAR COVER ASSEMBLY	1
177	P661259	ROTATING HOOK ASSEMBLY FELT	1
178	P413827	SETSCREW	2
179	P413820	ROTATING HOOK ASSEMBLY	1
187	P661255	HOOK DRIVE SHAFT COLLAR	1
188	KC220650	POSITION FINGER LONGER	1

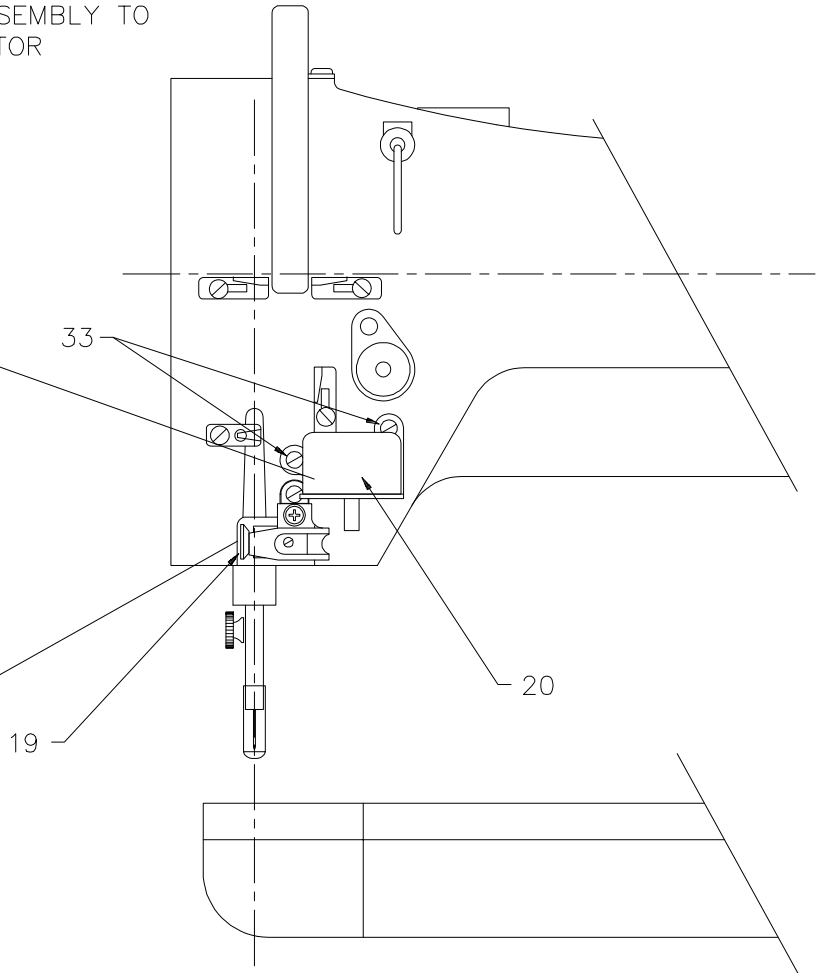
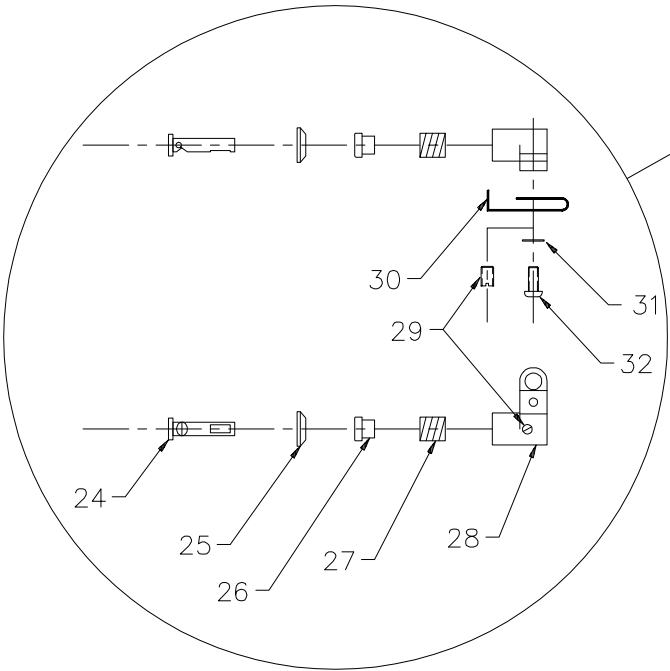
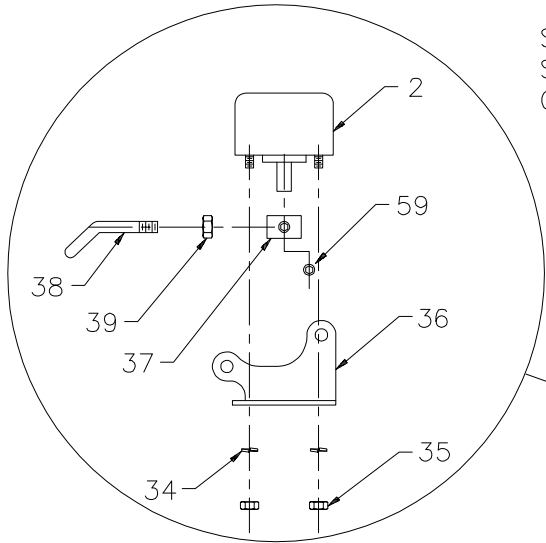


SEWING HEAD PARTS - FRONT VIEW

ITEM	PART NO.	DESCRIPTION	QTY
1	P661227	PRESSER BAR SPRING	1
2	P661207	M6 X 15 X 10 SOCKET HEAD CAP SCREW	1
3	P661212	ECCENTRIC CAM LINK	1
4	P661045	9/64-40 PAN HEAD SCREW	2
5	P661282	RESET LEVER (#904022)	1
6	P413539	CONNECTING LINK SHOULDER SCREW	1
7	P661283	PRESSER UPPER/LOWER ROD (#903112)	1
8	P661237	LIFT LINK SCREW	1
9	P661217	PRESSER BAR	1
10	P661224	PRESSER BAR GUIDE BILL	1
11	P413308	NEEDLE BAR FRAME POSITION BRACKET	1
12	P661141	M4 X 6 X 0.7 SOCKET HEAD CAP SCREW	1
13	P642510	NEEDLE BAR FRAME	1
14	P413330	NEEDLE BAR FRAME SLIDE BLOCK	1
15	P661150	NEEDLE BAR ROCK FRAME SHAFT	1
16	P413279	SCREW	1
17	P413278	NEEDLE BAR CONNECTING STUD	1
18	P413274	NEEDLE BAR CONNECTING LINK	1
19	P642501	JUMP FOOT ROD	1
20	P413269	NEEDLE BAR CONNECTING LINK STUD	1
21	P661103	NEEDLE BAR CRANK	1

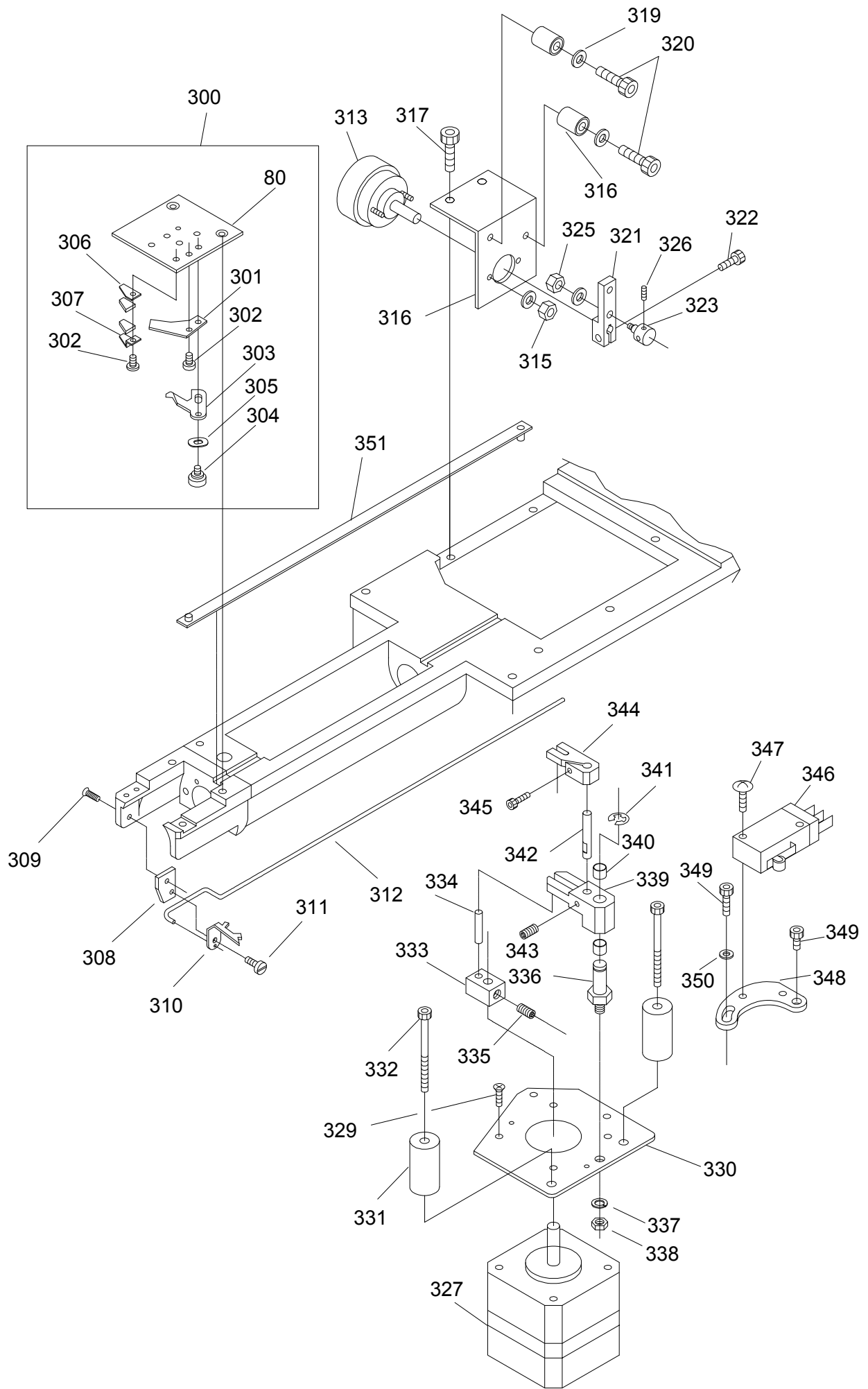
D

SEE ZP730140 FOR
SUB-ASSEMBLY TO
CONNECTOR



SEW HEAD - TRIMMER #4

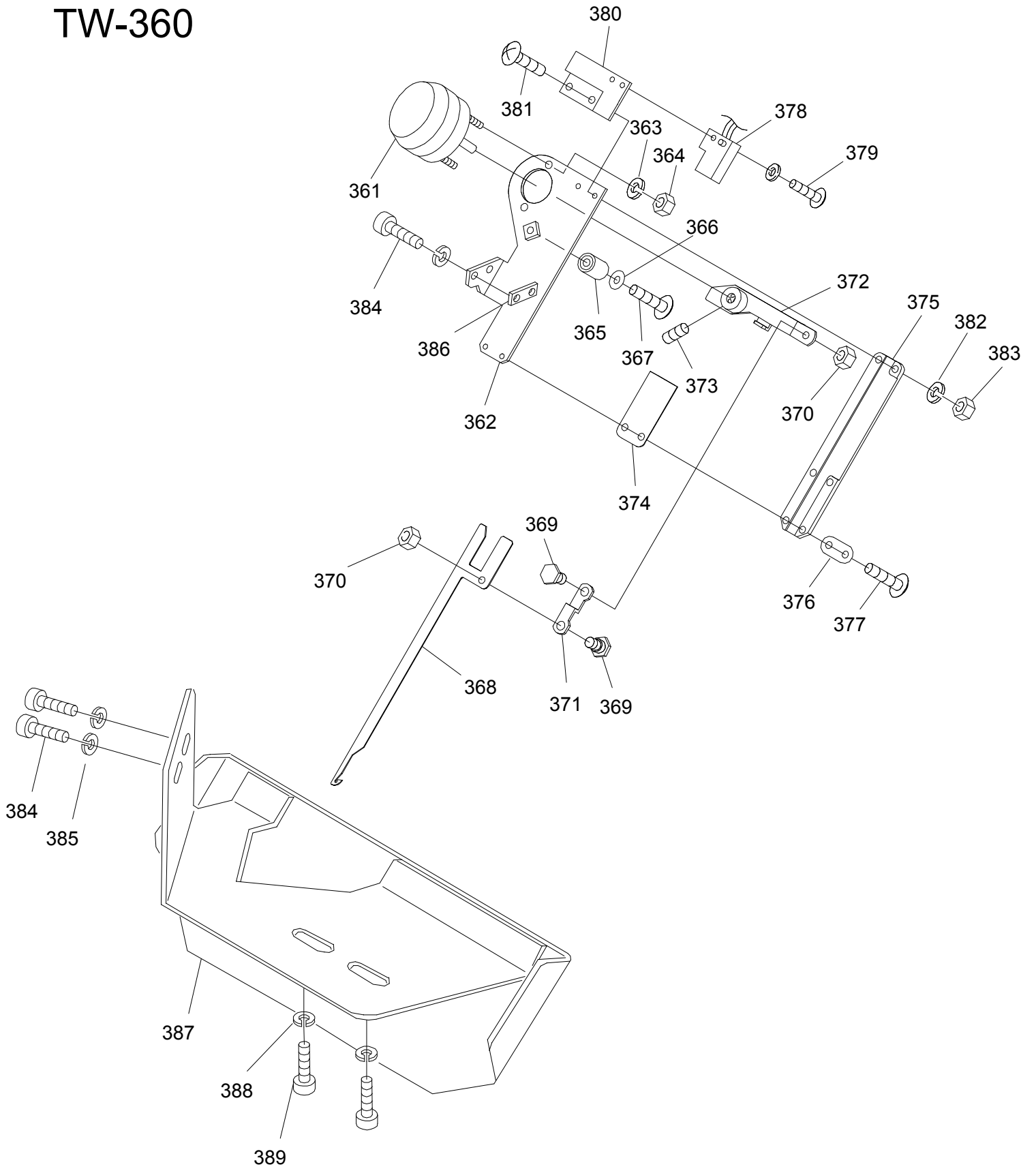
ITEM	PART NO.	DESCRIPTION	QTY
19	P661298	SUB TENSIONER ASS'Y	1
24	P700774	SUB TENSION SHAFT	1
25	P700775	SUB TENSION FRONTAL DISC	1
26	P700776	SUB TENSION REAR DISC	1
27	P700777	SUB TENSION SPRING	1
28	P700778	SUB TENSION PLATFORM	1
29	P700779	M4x3.5 SLOT SET SCREW, CUP POINT	1
30	P700230	SUB TENSION RELEASE SPRING	1
31	P840514	M3 FLAT WASHER, SPECIAL	7
32	P700780	SCREW, SUB TENSION SPRING	1
20	P661299	SUB TENSION SOLENOID ASS'Y	
2	P700313	ROTARY SOLENOID	1
33	P700781	9/64x5/16 SLOTTED CHEESE HEAD SCREW	2
34	P840518	M3 LOCK WASHER SPLIT, BLACK	7
35	P840704	M3 HEX NUT, BLACK	7
36	P700099	SUB TENSION RELEASE SOLENOID BRKT	1
37	P700637	SUB TENSION RELEASE LEVER BOSS	1
38	P700145	SUB TENSION RELEASE LEVER	1
39	P840713	M4 HEX NUT, BLACK	1



THREAD TRIMMER

ITEM	PART NO.	DESCRIPTION	QTY
80	P661301	MARK 5 NEEDLE PLATE (#812121)	1
300	P661305	MARK 5 NEEDLE PLATE ASS'Y (#812140)	1
301	KN270961	FIXED KNIFE	1
302	KX270010	FIXED KNIFE SET SCREW	2
303	KN270952	DRIVING KNIFE	1
304	KC270970	LOWER THREAD KNIFE TURRET SHAFT	1
305	A9013066	WAVE SPRING	1
306	HT270160	LOWER THREAD SUPPORT STAY (UPPER)	1
307	HT270180	LOWER THREAD SUPPORT STAY (LOWER)	1
308	P661308	BRACKET, ENTERING HOOK (#26083)	1
309		SCREW, M4 X 6 SOCKET FLAT HEAD	1
310	P661304	FORK, B2000 MARK V	1
311	KC271001	UPPER THREAD KNIFE ROTARY SHAFT	1
312	P661284	ROD, FORK (#812144)	1
313	A9056030	ROTARY SOLENOID (3ER25-35X3X8X9)	1
314		M3 LOCK WASHER	2
315		M3 HEX NUT	2
316	P661285	BRACKET, SOLENOID (#812145)	1
317		SCREW, M4 X 10 SOCKET HEAD CAP	2
318	KN272400	STOPPER ECCENTRIC & COVER	2
319		M4 FLAT WASHER	2
320		SCREW, M4 X 20 SOCKET HEAD CAP	2
321	KC271940	SOLENOID LEVER A	1
322		SCREW, M4 X 10 SOCKET HEAD CAP	1
323	P661297	CLAMP, CONNECTING HOOK DRIVE ROD (#812147)	1
324		M3 FLAT WASHER	1
325		M3 HEX NUT	1
326		SCREW, M4 X 4 FLAT POINT SOCKET SET	1
327	MF510020	STEPPER MOTOR	1
329		SCREW M3 X 8 PHILLIPS FLAT HEAD	4
330	P661286	MOTOR MOUNTING BRACKET (#903311)	1
331	P661287	MOTOR BRACKET SPACER (#812222)	2
332		SCREW, M4 X 45 SOCKET HEAD CAP	2
333	P661288	KNIFE DRIVE CRANK (#903312)	1
334	P661289	KNIFE DRIVE CRANK PIN (#903313)	1
335		SCREW M4 X 4 SOCKET SET	1
336	P661290	KNIFE DRIVE SHAFT (#812154)	1
337		M5 LOCK WASHER	1
338		M5 HEX NUT	1
339	P661291	KNIFE DRIVE LEVER LOWER (#903314)	1
340	P661292	BUSHING, R-ML 0707 (NTN)	2
341	P840816	E-CLIP, E-5	1
342	P661293	KNIFE DRIVE LEVER PIN (#812156)	1
343		SCREW, M5 X 5 SOCKET SET	1
344	P661294	KNIFE DRIVE LEVER UPPER (#812157)	1
345		SCREW, M4 X 12 SOCKET HEAD CAP	1
346	A9052078	MICRO SWITCH	1
347	P841056	SCREW, M3 X 15 PHILLIPS HEAD TRUSS	2
348	P661295	BRACKET, SWITCH (#903315)	1
349		SCREW, M3 X 6 SOCKET HEAD CAP	2
350		WASHER, M3 FLAT	1
351	P661296	ROD, KNIFE DRIVE (#903316)	1

TW-360



THREAD WIPER MECHANISM

ITEM	PART NO.	DESCRIPTION	QTY.
361	A9056018	SOLENOID, 4ER67.5-34 X 3 X 8 X 9	1
362	KL270081	THREAD PUSH BASE	1
363		M4 LOCKWASHER	2
364		M4 HEX NUT	2
365	KN272400	STOPPER ECCENTRIC	1
366		M4 FLATWASHER	1
367		SCREW, M4 X 20 PHILLIPS TRUSS HEAD	1
368	P661302	THREAD HOOK (#903151)	1
369	KL270130	LEVER CONNECT PIN	2
370		M4 HEX NUT	1
371	KL270120	CONNECTOR PLATE	1
372	KL270110	THREAD SOLENOID LEVER	1
373		SCREW, M4 X 5 SOCKET SET	2
374	KL270450	HOOK GUIDE PLATE	1
375	KL270091	THREAD HOOK GUIDE	1
376	P661307	HOOK GUIDE WASHER (#903161)	1
377		SCREW, M3 X 7 PHILLIPS TRUSS HEAD	2
378	A9052028	PROXIMITY SENSOR RS-603	1
379		SCREW, M3 X 6 PHILLIPS PAN HEAD	1
380	KL270260	BRACKET, SWITCH	1
381		SCREW, M3 X 10 SOCKET HEAD CAP	2
382		M3 LOCKWASHER	2
383		M3 HEX NUT	2
384		SCREW, M4 X 10 SOCKET HEAD CAP	2
385		M4 LOCKWASHER	2
386	P661306	THREAD PUSH BASE NUT (#903152)	1
387	TD-2323	THREAD PUSH BRACKET (SET)	1
388		M6 LOCKWASHER	2
389		SCREW, M6 X 10 SOCKET HEAD CAP	2